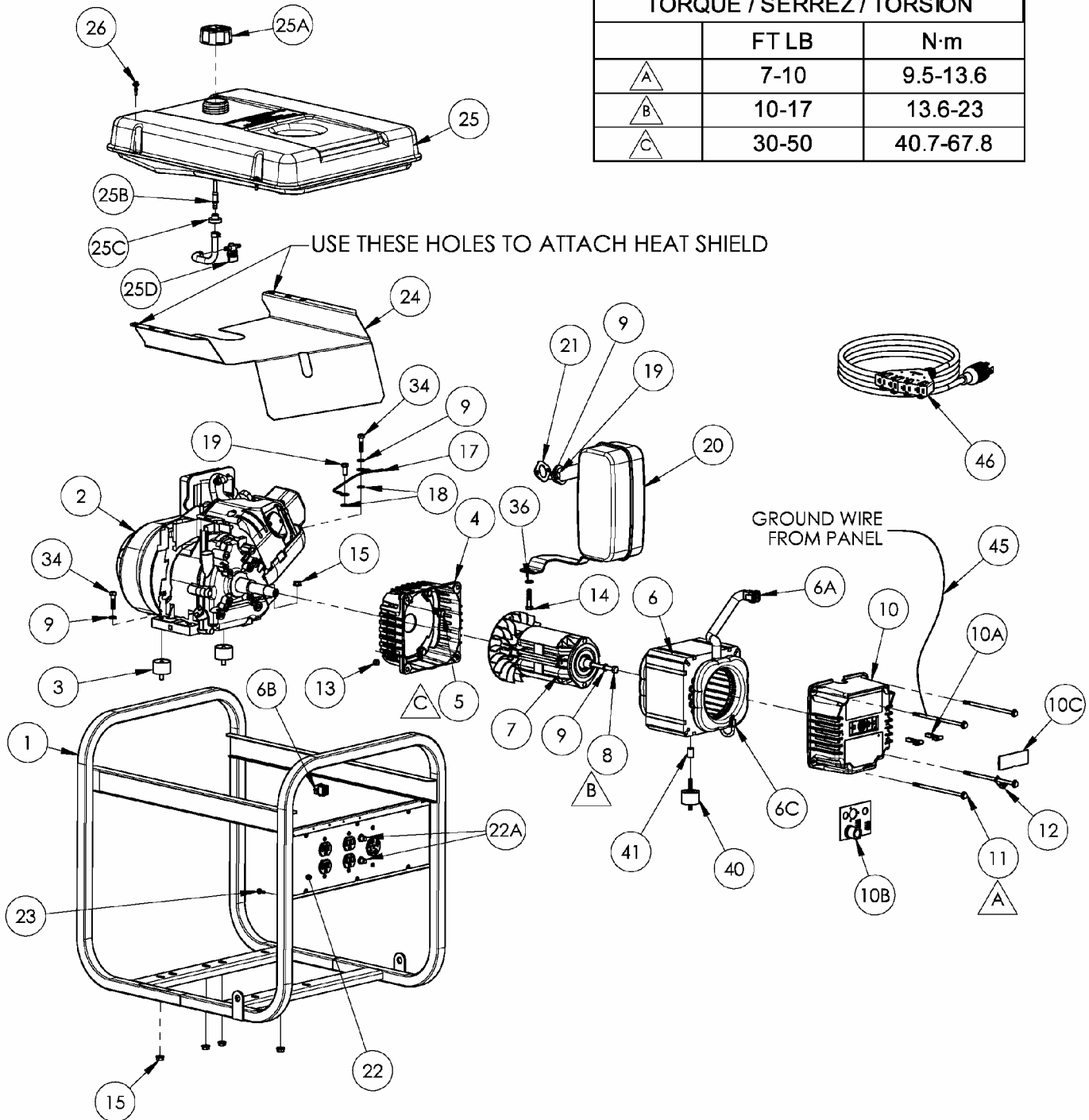


PARTS DRAWING / SCHEMA DES PIÈCES / DIAGRAMA DE PIEZAS

| TORQUE / SERREZ / TORSIÓN | | |
|---------------------------|-------|-----------|
| | FT LB | N·m |
| △A | 7-10 | 9.5-13.6 |
| △B | 10-17 | 13.6-23 |
| △C | 30-50 | 40.7-67.8 |



PM0545010

PARTS LIST / LISTE DES PIÈCES / LISTA DE PIEZAS

| REF. NO. | PART NO. | DESCRIPTION | DESCRIPTION | DESCRIPCIÓN | QTY |
|----------|------------|----------------------------------|---|--|-----|
| 1 | 0063330 | Carrier, assembly | Ensemble transport | Transportador, conjunto | 1 |
| 2 | Note A | Engine 10HP B&S | Moteur | Motor | 1 |
| 3 | 0051094 | Isolator | Sectionneur | Aislador | 2 |
| 4 | 0050236.01 | Adapter, engine | Adaptateur pour moteur | Adaptador, motor | 1 |
| 5 | 0000919.01 | Bolt whz 3/8-16 x .75 | Boulon | Perno | 4 |
| 6 | 0062471 | Stator 5 KW 60 HZ | Stator | Estator | 1 |
| 6A | 0056716 | Connector, stator | Connecteur, stator | Conector, estator | 1 |
| 6B | 0062196 | Connector, panel | Connecteur, tableau | Conector, panel | 1 |
| 6C | 0062466 | Connector plug | Prise de connecteur | Tapón del conector | 1 |
| 7 | 0049620 | Rotor 5 KW | Rotor | Rotor | 1 |
| 8 | 0035055 | Bolt, hex 5/16-24 x 6.63 | Boulon | Perno | 1 |
| 9 | Note B | Washer, lock 5/16 | Contre-écrou 5/16 | Arandela, de cierre 5/16 | 5 |
| 10 | 0062470 | Endbell Wired | Couvre-enroulement, câblage complet tableau | Caja posterior con cable | 1 |
| 10A | 0050439 | Brush, E-4R | Balais, E-4R | Escobilla, E-4R | 2 |
| 10B | 0062974 | Assembly, bridge rectifier board | Ensemble de planche de redresseur de pont | Conjunto de la tabla del rectificador del puente | 1 |
| 10C | 0062745 | Brush Cover | Couvre-balais | Cubierta de escobillas | 1 |
| 11 | 0040816.01 | Bolt, HWH 1/4-20 x 6 | Boulon | Perno | 4 |
| 12 | 0008854 | Lug, ground | Oeillet de mise à la terre | Terminal, tierra | 1 |
| 13 | 0040832 | Nut, nyloc 1/4-20 | Écrous nyloc 1/4-20 | Tuerca, nyloc 1/4-20 | 4 |
| 14 | Note B | Bolt, 5/16-18 x 1 1/2 | Boulon | Perno | 1 |
| 15 | 0057254 | Nut, hex flg 5/16-18 | Écrous 5/16-18 | Tuerca, 5/16-18 | 7 |
| 16 | 0053188 | Axle Cap | Chapeau d'essieu | Tapa del eje | 2 |
| 17 | 0049224 | Assembly, ground wire | Ensemble fil de masse tressé a tierra | Conjunto, cable trenzado | 1 |
| 18 | Note B | Washer, star external 5/16 | Rondelle à dents externa 5/16 | Arandela, estrella | 2 |
| 19 | Note B | Bolt, hex 5/16-18 x 3/4 | Boulon, tête hex 5/16-18 x 3/4 | Perno | 3 |
| 20 | 0063175 | Muffler | Silencieux | Silenciador | 1 |
| 21 | 0061129 | Gasket | Joint | Empaquetadura | 1 |
| 22 | 0063969 | Panel, wired | Tableau complet câblé | Panel, cabeado completo | 1 |
| 22A | 0049072 | Circuit Breaker 25 amp | Disjoncteurs 20 amp | Cortacircuitos 20 amp | 2 |
| 23 | 0053320 | Screw HWH #10-14 x .63 | Vis | Tornillo | 4 |
| 24 | 0057634 | Shield, heat | Écran de chaleur | Pantalla para el calor | 1 |
| 25 | Note C | Fuel tank assembly | Ensemble complet du réservoir | Conjunto tanque | 1 |
| 25A | 0055340 | Fuel Cap | Capuchon | Tapa de combustible | 1 |
| 25B | 0051367.01 | Fuel fitting with filter | Epurateur d'essence | Filtro de combustible | 1 |
| 25C | 0062673 | Fuel Bushing | Bague d'essence | Buje de combustible | 1 |
| 25D | 0049920 | Fuel Shut Off, Inline | Fermeture d'essence | Apagado combustible, en línea | 1 |
| 26 | 0058618 | Screw #10 x 1 hex SDS | Vis | Tornillo | 4 |
| 27 | 0063212 | Bracket, foot | Support de pied | Soporte del pie | 1 |
| 28 | 0061978 | Handle | Poignée | Manija | 2 |
| 29 | Note B | Bolt, 1/4-20 x 4 | Boulon | Perno | 2 |
| 30 | Note B | Bolt, 7/16 x 2 | Boulon | Perno | 1 |
| 31 | 0057704 | Wheel | Roue | Rueda | 2 |
| 32 | 0055894 | Rubber Foot | Pied | Pie | 2 |
| 33 | 0056261 | Nut, nyloc 7/16-14 | Écrous nyloc 7/16-14 | Tuerca, nyloc 7/16-14 | 1 |
| 34 | Note B | Bolt, 5/16-18 x 1 1/4 | Boulon | Perno | 2 |
| 35 | 0063396 | Axle | Essieu | Eje | 1 |
| 36 | Note B | Washer flat 5/16 | Rondelle plates 5/16 | Arandela, plana 5/16 | 1 |
| 40 | 0049743 | Isolator | Sectionneur | Aislador | 1 |
| 41 | 0047796 | Spacer | Entretoise | Espaciador | 1 |
| 44 | 0056218 | Grip, handle | Poignée | Empuñadura | 1 |
| 45 | 0007587 | Assembly, ground wire | Ensemble fil de masse tressé a tierra | Conjunto, cable trenzado | 1 |
| 46 | 0063169 | Cordset, 25 foot 20 amp | Ensemble de cordons, 25 pieds 20A | Juego de cordón, 25 pies 20 amperios | 1 |