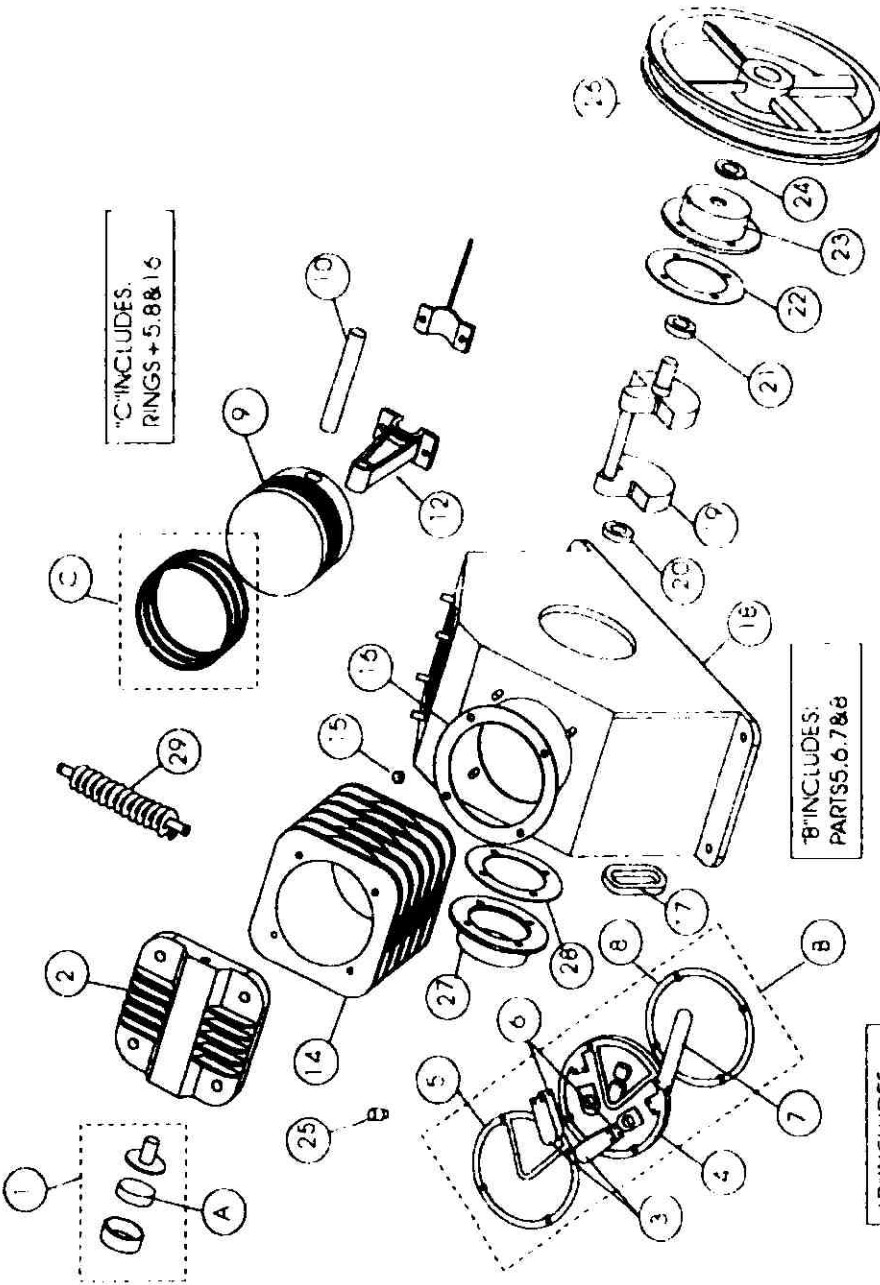


Eagle Air Compressor part breakdown sheet - PV02A

Part #	Description	Qty/Part	Part #
1	Intake filter assy	2	51111-5600
2	Cylinder head	2	52122-0101
3	Int. filterer - discharge valve plate	4	51121-3102
4	Valve seat	2	52122-2101
5	Valve seat to head gasket	2	52122-2105
6	Discharge valve plate	4	51121-2103
7	Intake valve plate	2	52122-2103
8	Valve seat to cylinder gasket	2	52122-2104
9	Piston	2	51122-5101
10	Piston pin c/w snap rings	2	51122-5112
11	Piston pin bushing	N/A	N/A
12	Connecting rod c/w clipper	2	51122-5120
13	Connecting rod bearing (part)	N/A	N/A
14	Cylinder	2	52122-4101
15	Oil filler cap	1	51111-4719
16	Cylinder to crankcase gasket	2	51122-4103
17	Oil sight glass c/w gasket	1	51111-4770
18	Crankcase	1	51122-4701
19	Crankshaft	1	51122-4601
20	Front bearing	1	83501-6205
21	Rear bearing	1	83501-6205
22	Crankcase to rear bearing housing gasket	1	51122-4704
23	Rear bearing housing	1	51122-4703
24	Oil seal	1	51122-4708
25	Crankcase breather	1	51111-4761
26	Flywheel c/w fasteners	1	51122-6601
27	Front bearing housing	1	51122-4706
28	Crankcase to front bearing housing gasket	1	51122-4707
29	Connecting (interstage) tubing	1	51122-7710
Misc	1/4" street elbow (oil drain)	1	83610-113025
	rear bearing snap ring	1	51121-7710
	interstage "Y" fitting	1	51122-7701
	interstage "elbow" fitting	1	EACIL10
	Eagle oil (5.90ml or 20oz)	1	



*C*INCLUDES:
RINGS + 5.8&16

*B*INCLUDES:
PARTS 5, 6, 7 & 8

*D*INCLUDES
3, 4, 6 & 7

Description	Part No.	Qty
Unloader	52122-0120	2
Unloading Elbow	69926-050101	1
Unloading Tee	69927-050101	1
Unloading Tube	TU-1 4-CU	3ft
Cylinder Head	51121-0101U	2

For PV02AU only



A	Intake filter element kit includes: - three(3) intake filter elements	1	101000-300
B	Valve repair kit includes: - valve seat to head gasket (item 5); - two(2) outlet valve plates (item 6); - intake valve plate (item 7); - six(6) valve plate screws - valve seat to cylinder gasket (item 8)	2	101000-165
C	Ring repair kit includes: - valve seat to head gasket (item 5); - valve seat to cylinder gasket (item 8); - two(2) compression rings - one(1) oil control ring - cylinder to crankcase gasket (item 16); - Valve Plate Assembly (Not shown)	2	101000-265
D	Valve Plate Assembly (Not shown)	2	52122-2100