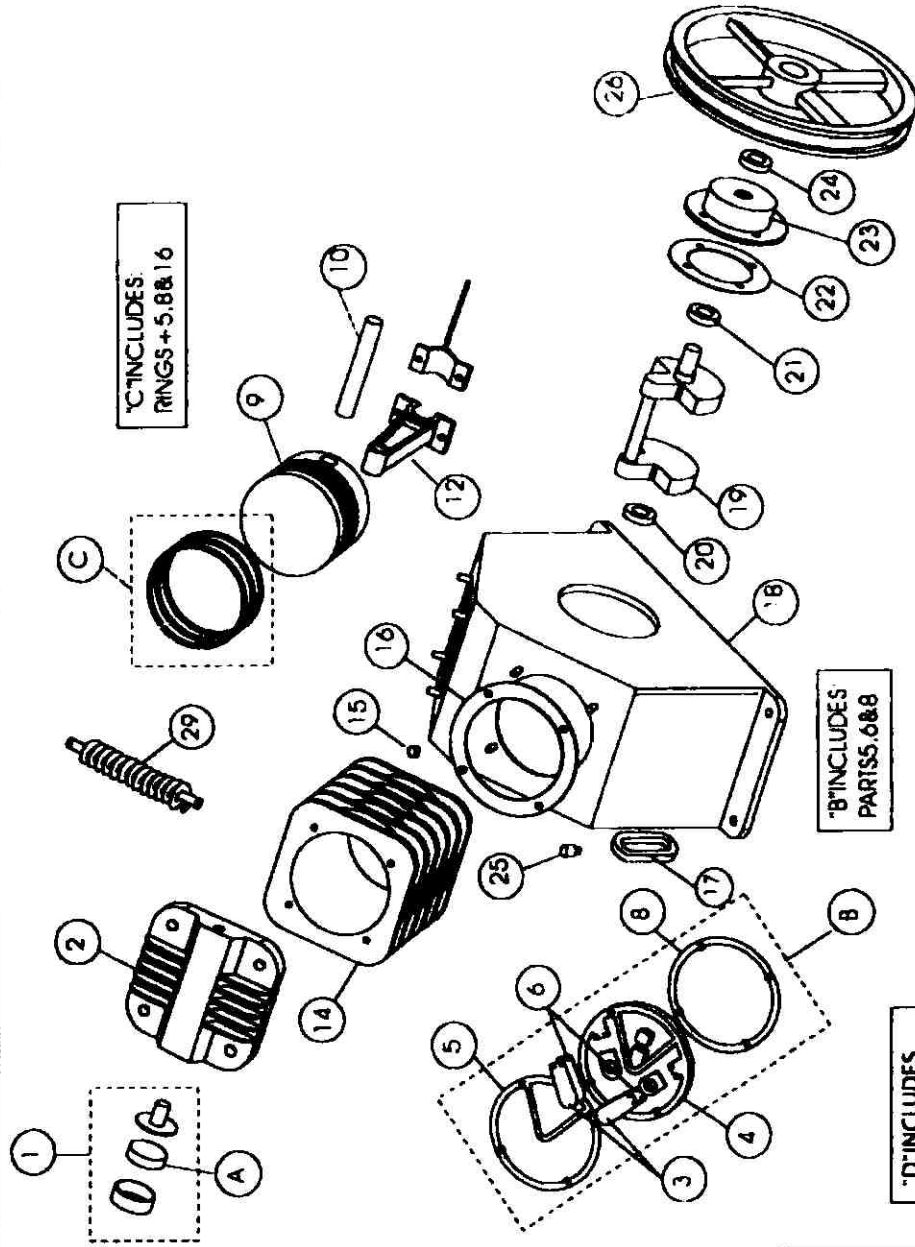
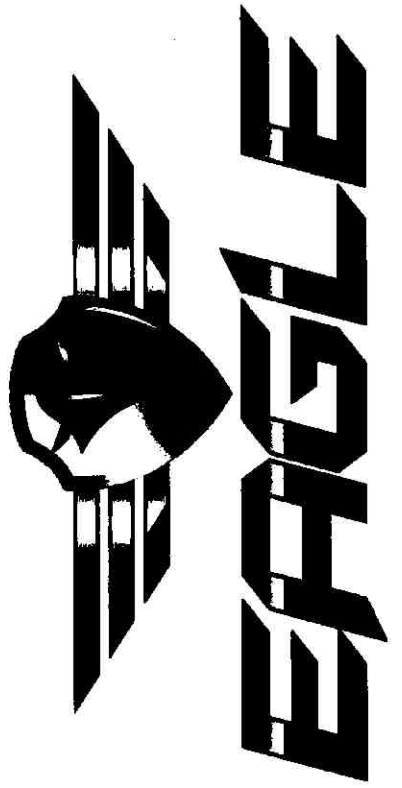


Eagle Air Compressor part breakdown sheet - PV01A



Item #	Description	Qty Req.	Part #
1	Intake filter assy	2	5111-5600
2	Cylinder head	2	51121-0101
3	lift limiter - discharge valve plate	2	51121-3102
4	valve seat	2	51121-2101
5	valve seat to head gasket	2	51121-2105
6	discharge valve plate	4	51121-2103
7	intake valve plate	N/A	N/A
8	valve seat to cylinder gasket	2	51121-2104
9	piston	2	52121-5101
10	piston pin c w snap rings	2	51121-5112
11	piston pin bushing	N/A	N/A
12	connecting rod c w clipper	2	51121-5120
13	connecting rod bearing (pair)	N/A	N/A
14	cylinder	2	52121-4101
15	oil filler cap	1	51111-4719
16	cylinder to crankcase gasket	2	51121-4103
17	oil sight glass c w gasket	1	51111-4770
18	crankcase	1	51121-4701
19	crankshaft	1	51121-4601
20	front bearing	1	83501-6205
21	rear bearing	1	83501-6204
22	crankcase to rear bearing housing gasket	1	51121-4704
23	rear bearing housing	1	51121-4703
24	oil seal	1	51121-4708
25	crankcase breather	1	51111-4761
26	flywheel c w fasteners	1	51121-6601
27	front bearing housing	N/A	N/A
28	crankcase to front bearing housing gasket	N/A	N/A
29	connecting (interstage) tubing	1	51121-7710
30	1 4" street elbow (oil or air)	1	STREL14
31	rear bearing snap ring	1	83510-113025
32	interstage "Y" fitting	1	51121-7710
33	interstage "elbow" fitting	1	51112-7701
34	Eagle oil (50mt or 12oz)	1	EAOL10

Description	Part No.	Qty
Unloader	52122-0120	2
Unloading Elbow	69926-050101	1
Unloading Tee	69927-050101	1
Unloading Tube	TU-1 4-CU	3ft
Cylinder Head	51121-0101U	2

For PV01AU only

Kit	Description	Qty	Part #
A	Intake filter element kit includes: - three (3) intake filter elements	2	101000-300
B	valve repair kit includes: - valve seat to head gasket (item 5) - two (2) outlet valve plates (item 6) - intake valve plate (item 7) - six (6) valve plate screws	2	101000-151
C	ring repair kit includes: - valve seat to head gasket (item 5) - valve seat to cylinder gasket (item 8) - two (2) compression rings - one (1) oil control ring - cylinder to crankcase gasket (item 16)	2	101000-255
D	Valve Plate Assembly (Not shown)	2	51121-2100