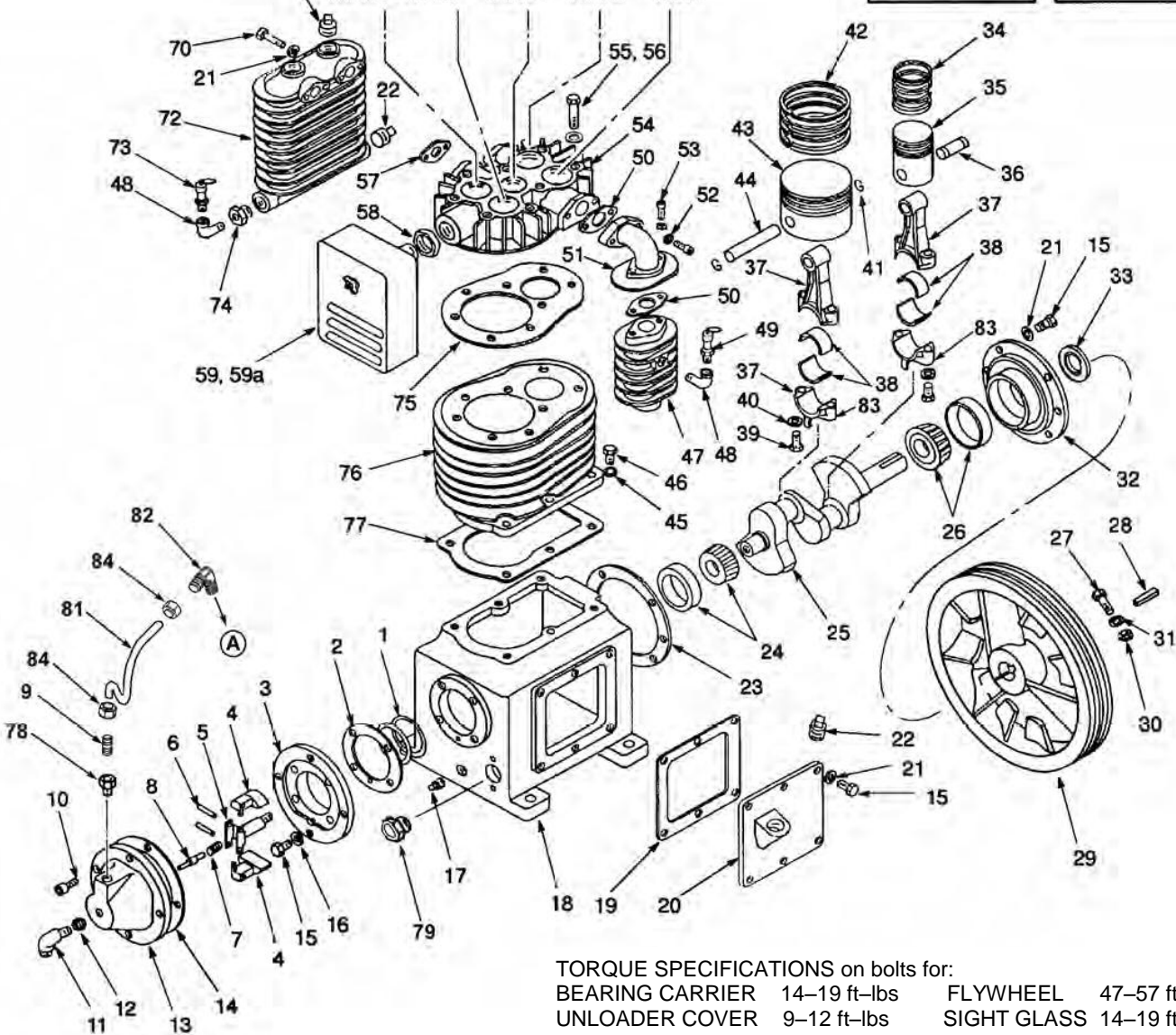
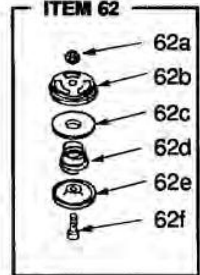
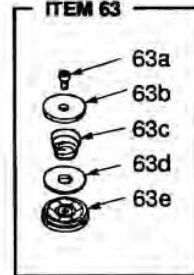
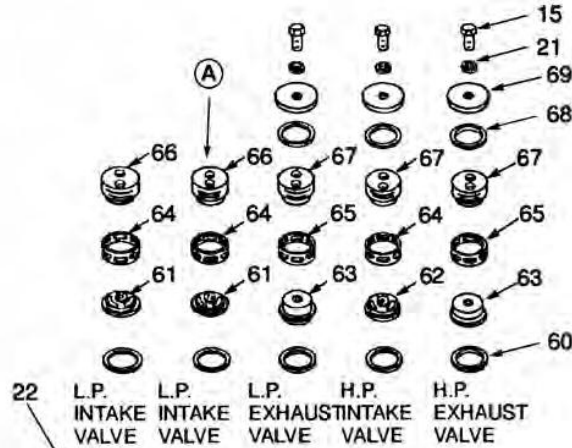
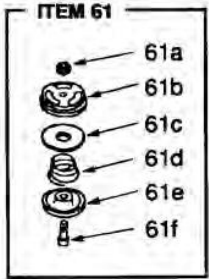


BREAKDOWN PUMP MODEL ICM-5C, DEP-5

PUMP SPECIFICATIONS
 WEIGHT - 225 LBS
 CAPACITY - 50 OZ.
 MAX RPM - 800
 OIL GRADE - 10W-30 ALL SEASON
 COMPRESSOR OIL



TORQUE SPECIFICATIONS on bolts for:

BEARING CARRIER	14-19 ft-lbs	FLYWHEEL	47-57 ft-lbs
UNLOADER COVER	9-12 ft-lbs	SIGHT GLASS	14-19 ft-lbs
AFTERCOOLER	14-19 ft-lbs	CYLINDER	19-27 ft-lbs
INTERCOOLER	14-19 ft-lbs	ROD	34-37 ft-lbs
VALVE RETAINERS	65-70 ft-lbs	HEAD	32-37 ft-lbs
VALVE COVER	14-19 ft-lbs	VALVE	9-12 ft-lbs

PARTS LIST : PUMP MODEL ICM-5C, DEP-5

Item	Part No	Qty	Description	Item	Part No	Qty	Description
1	046-0175		Shim, bearing adj, .005 thick	43	048-0054	1	Piston, low pressure
	046-0176		Shim, bearing adj, .010 thick	44	052-0027	1	Pin, wrist, low pressure
	046-0177		Shim, bearing adj, .020 thick	45	060-0063	6	Washer, copper, .66 O.D. x .41 I.D.
2	046-0227	1	Gasket, adapter plate	46	059-0159	6	Bolt, cylinder M10 x 30 mm lg
3	077-0070	1	Plate, adapter, centrif. unloader	47	082-0014	1	Aftercooler
4	096-0009	2	Weight	48	064-0022	2	Elbow, 90° street, 1/4"
5	114-0112	1	Holder, weight	49	136-0047	1	Valve, pressure relief, 225 PSI
6	107-0015	2	Pin	50	046-0172	2	Gasket, manifold, aftercooler
7	055-0051	1	Spring	51	083-0009	1	Elbow, manifold, aftercooler
8	078-0011	1	Plunger	52	060-0070	4	Washer, lock, 8 mm
9	068-0089	1	Breather, connector	53	059-0158	4	Bolt, manifold, M8 x 25 mm lg
10	059-0156	4	Bolt, M6 x 20 mm lg	54	042-0055	1	Head, cylinder
11	031-0057	1	Valve, air, w/valve core	55	059-0167	8	Bolt, head, M12 x 70 mm lg
12	058-0084	1	Nut, brass, M10	56	060-0105	8	Washer, M12
13	077-0071	1	Housing, centrifugal unloader	57	046-0173	2	Gasket, intercooler
14	046-0171	1	Gasket	58	058-0087	1	Nut, conduit, 1"
15	059-0166	21	Bolt, M8 x 20 mm lg	59	019-0097	1	Filter, cannister assy <i>includes item 59a</i>
16	060-0070	4	Washer, lock, 8 mm	59a	019-0023	1	Element, filter replacement
17	062-0004	1	Plug, oil drain	60	060-0062	5	Washer, copper (1.62" O.D. x 1.368" I.D.)
18	049-0027	1	Crankcase	61	043-0098	2	Intake valve assy, low pressure
19	046-0169	1	Gasket, side cover	62	043-0099	1	Intake valve assy, high pressure
20	077-0069	1	Cover, side	63	043-0100	2	Exhaust valve assy, high & low
21	060-0061	19	Washer, copper. 52" O.D. x 32" I.D.	64	043-0094	3	Spacer, intake valve
22	062-0006	4	Plug, pipe, 3/4" NPT	65	043-0095	2	Spacer, exhaust valve
23	046-0168	1	Gasket, front cover	66	058-0082	2	Retainer, valve, low pressure
24	051-0054	1	Bearing set, rear	67	058-0083		Retainer, valve
25	053-0051	1	Crankshaft	68	046-0174	3	Gasket, valve cover
26	051-0053	1	Bearing set, front	69	077-0073	3	Cover, valve
27	059-0163	1	bolt, m16 x 80 mm lg	70	059-0157	4	Bolt, M8 x 90 mm lg
28	146-0015	1	key, flyweel	72	082-0012	1	Intercooler
29	044-0037	1	Flyweel, 16 7/8" o.d.	73	136-0046	1	Valve, pressure relief, 75 PSI
30	058-0086	1	Nut, M16	74	063-0006	1	Bushing, reducer
31	060-0069	1	Washer, lock, 16 mm	75	046-0166	1	Gasket, cylinder head
32	045-0044	1	Bearing carrier, front	76	050-0030	1	Cylinder
33	046-0179	1	Seal, shaft	77	046-0167	1	Gasket, cylinder/crankcase
34	054-0178	1	Ring set, high pressure	78	056-0056	1	Breather, crankcase
35	048-0081	1	Piston, high pressure	79	032-0071	1	Oil level sight glass
36	052-0028	1	Pin, wrist, high pressure	80	059-0153	2	Bolt, M8 x 30 mm lg
37	047-0084	2	Rod, connecting (cast iron)	81	145-0401	1	Breather tube
38	051-0055	2	pair Insert, bearing	82	064-0066	1	Breather elbow
39	059-0154	4	Bolt, rod, M10 x 45 mm lg	83	056-0063	2	Oil dipper
40	060-0072	4	Washer, lock 10 mm	84	058-0146	2	Compression nut & sleeve
41	054-0119	2	Retaining ring	Kit	046-0183		Complete gasket kit
42	054-0179	1	Ring set, low pressure	Kit	046-0184		Valve gasket kit
				Kit	165-0063		valve kit with gasket