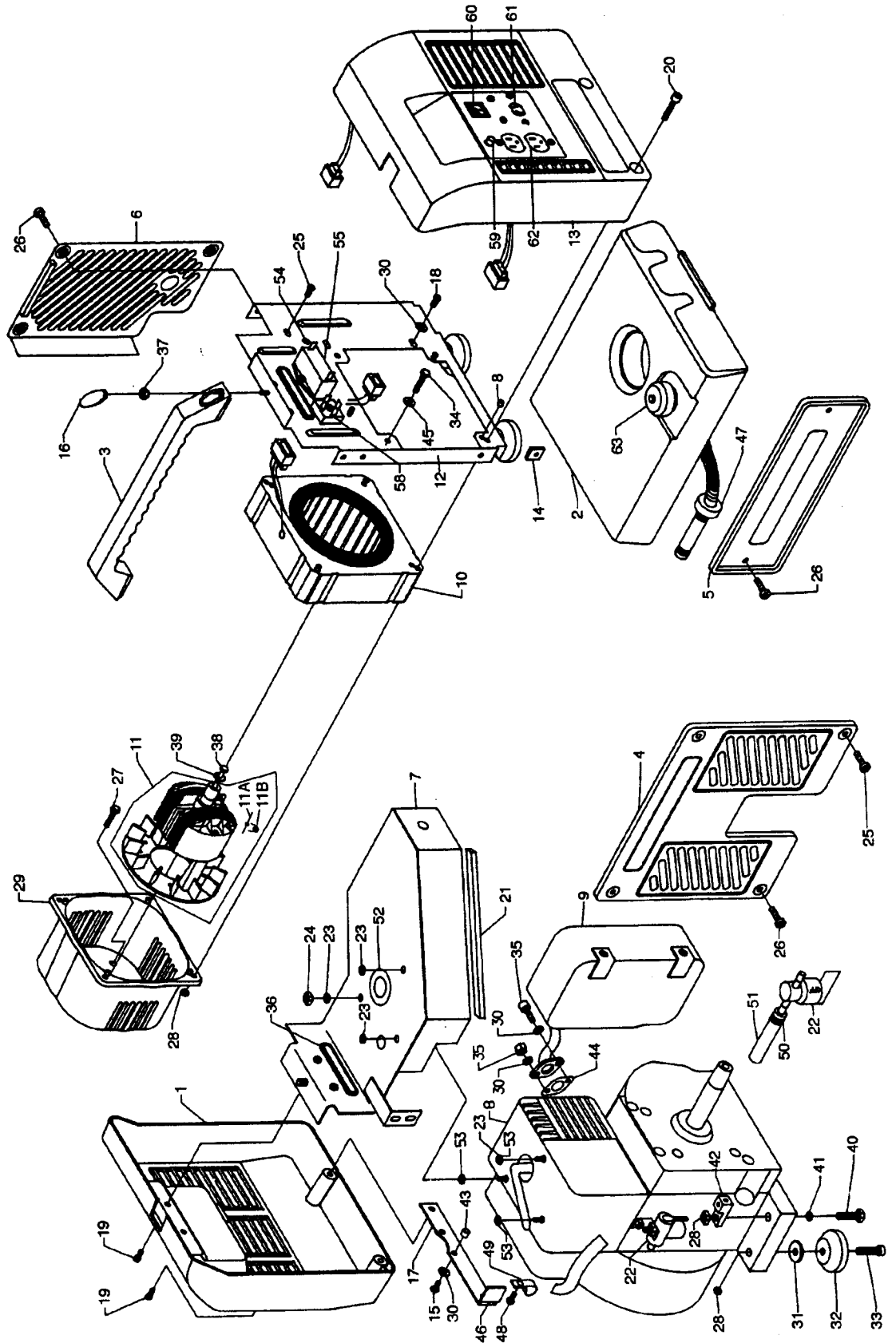


SERVICE PARTS LIST

MODEL
GEN PULSE 1700
GEN PULSE PLUS 1750
GEN PULSE 1850

PART NUMBER
PC0401700
PC0401755
PC0401850



SERVICE PARTS LIST

MODEL
GEN PULSE 1700
GEN PULSE PLUS 1750
GEN PULSE 1850

PART NUMBER
PC0701700
PC0401755
PC0401850

REF. NO.	PART NO.	DESCRIPTION	PC0401700	PC0401755	PC0401850
1	0051718	PANEL, GREEN	1		
1	0050181	PANEL, GREY		1	1
2	0049921	ASSY, FUEL TANK		1	
2	0051368	ASSY, FUEL TANK	1		1
2a	0049841	CAP, FUEL	1	1	1
3	0049813	HANDLE	1	1	1
4	0049814.01	PANEL SIDE COVER	1	1	1
6	0049923	SHIELD, MUFFLER	1	1	1
7	0049818.01	HEAD DEFLECTOR, B&S	1	1	
7	0049817	HEAD DEFLECTOR, KHI			1
8	NOTE A	ENGINE 3.5 hp B&S	1		1
8	NOTE A	ENGINE 3 hp KHI		1	
9	0049822.01	MUFFLER B&S	1		1
9	0049821.01	MUFFLER KHI		1	
10	0050063	STATOR, CSA	1	1	1
11	0049824	ROTOR	1	1	1
11A	0047801	DIODE MR760	2	2	2
11B	0054962	VARIATOR, V510LA40A	2	2	2
12	0049825	ASSY, STATOR BRACKET	1	1	1
13	0052025	ENDBELL, WIRED CSA 1700	1		
13	0050062	ENDBELL, WIRED CSA 1750		1	
13	0051917	ENDBELL, WIRED CSA 1850			1
13a	0049953	CIRCUIT BREAKER, 12 AMP	1	1	
13a	0049070	CIRCUIT BREAKER, 15 AMP			1
14	0049846	FASTENER	2	2	4
16	0049852	PLUG, HANDLE	2	2	2
17	0049865	BRKT, LOWER	1	1	1
21	1130498870	FOAM 3/8 X 1/2 W PSA	7.5"	7.5"	7.5"
22	0049920	FUEL SHUT OFF, INLINE	1		1
22	0049888	FUEL SHUT OFF		1	
29	0050488.01	ENGINE ADAPTER	1		1
29	0049694.01	ENGINE ADAPTER		1	
32	0047774	FOOT, RUBBER 106-W	4	4	4
36	0049849.01	GROMMET	1	1	1
40	0047855	BOLT, ROTOR 5/15-24 X 5.13	1	1	1
42	0008854	LUG, GROUND	1	1	1
43	0048119	SPACER 1/4	2	2	
44	0049892	GASKET, MUF B&S	1		1
44	0049401	GASKET, MUF KHI		1	
46	0049909	CAP, RECTANGULAR		2	
49	0047706	CLAMP, NYLON 1/2	1	1	1
50	0035857	CLAMP, HOSE 1/2	4	2	4
51	1130365740	HOSE 1/4" ID, 1/2" OD	26"	8"	26"
52	0049908	GROMMET, SPARK PLUG	1	1	
54	0047806	CAPCITOR 7.5MFD	1	1	1
55	0048677	DIODE, BRIDGE 25 AMP	1	1	1
*	0051291	ASSEMBLY, BATTERY CABLE	1	1	1

NOTE A: COLEMAN POWERMATE WILL NOT PROVIDE ENGINES AS REPLACEMENT PARTS. ENGINES ARE COVERED THROUGH THE ENGINE MANUFACTURER'S WARRANTY.

START DATE: 2/1/98

REVISED: