

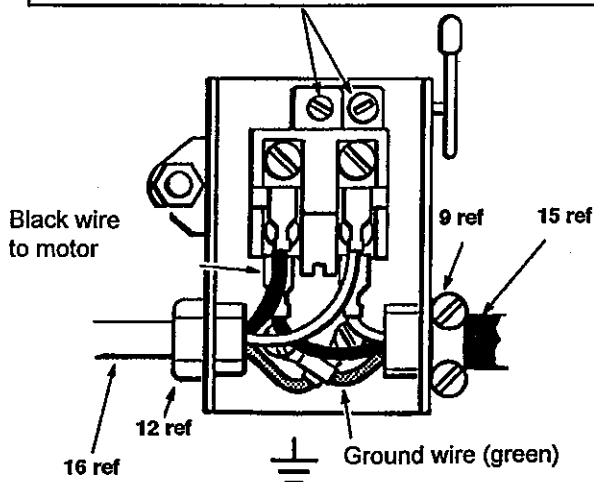
SERVICE PARTS LIST

MODEL

N0150410

Item	Part No	Qty	Description
1a	150-0034	1	Tank assy, 4 gallon, includes 1b-1e
1b	093-0026	1	Grip, handle
1c	072-0001	1	Petcock
1d	094-0026	4	Foot
1e	061-0005	4	Screw, #10 x .75" lg
2	136-0056	1	Valve, 140 PSI, 1/4 NPT ASME
3	065-0031	1	Nipple, 1/4 NPT x .87" lg
4	032-0056	2	Gauge, 220 PSI
5	063-0023	1	Bushing, 1/4 NPT x 1/8 NPT
7	019-0167	1	Regulator
8	065-0033	1	Nipple, 1/4 NPT x 1.50" lg
9	071-0002	1	Strain relief
10	145-0276	1	Tube, bleeder also order 058-0017 qty 1
11	034-0121	1	Switch, pressure, includes 11a
11a	136-0013	1	Valve, bleeder, includes 11a1
11a1	058-0017	1	Nut, 1/4" O.D. tube
12	071-0008	1	Strain relief
13	068-0506	1	Connector, 1/8 NPT x 1/4 barb
14	031-0037	1	Valve, check 1/2 NPT x 3/8" O.D. tube
15	026-0142	1	Cord, power
16	026-0160	1	Cord, interconnect B-B
17	040-0274	1	Pump/motor assy
18	059-0221	3	Bolt, shoulder, 1/4-28
19	093-0019	3	Grommet
20	145-0275	1	Tube, transfer A-A also order 058-0007 qty 2
21	058-0007	2	Nut, 3/8" O.D. tube
22	142-0097	1	Shroud
23	061-0108	1	Screw, #8-32 x 7/16" lg

Note: These are not connection screws. NEVER turn these screws; doing so will void the warranty. They have been pre-adjusted at the factory for proper operation of the pressure switch.



DATE 5/01/98

ORIGINAL

PARTS DRAWING

