

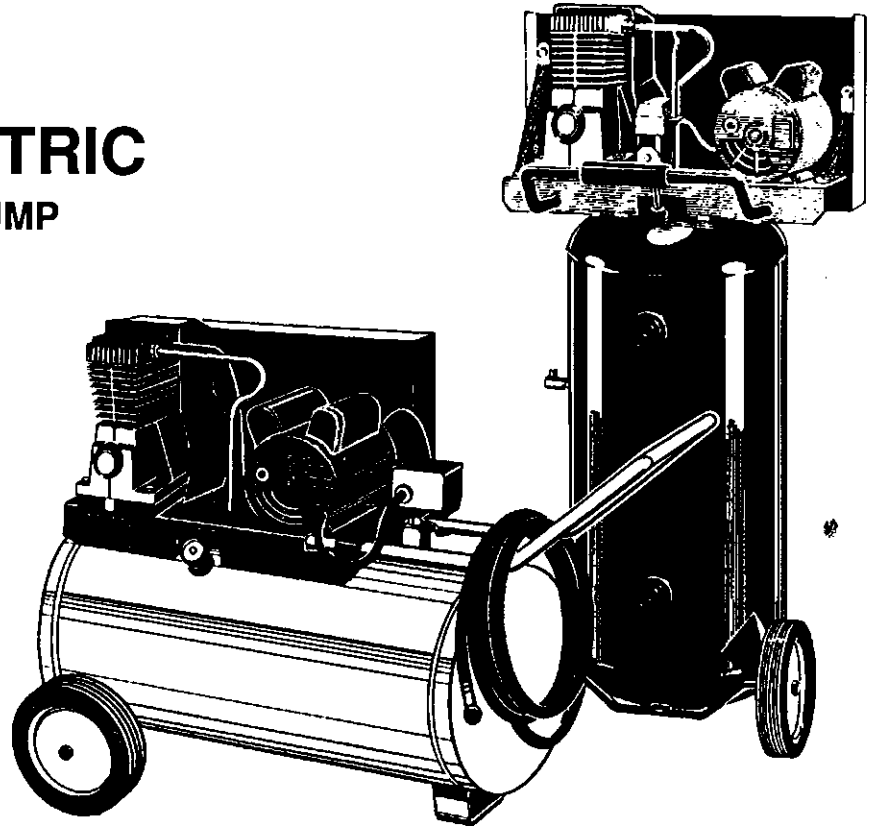
2, 3 and 5 H.P. PORTABLE ELECTRIC

130 & 165 TWIN CYLINDER PUMP

MODELS

20E20PN, 20E20PC,
30E25PN, 30E30PC,
50E25PN, 50E30PC
& 50E30VPC

20E20PCC,
30E30PCC
50E30PCC



SPECIFICATION CHART

MODEL NO.	H.P.	AIR RECEIVER TANK CAPACITY GALLONS	VOLTAGE/ AMPS/ PHASE	SCFM Displ @ 40 PSI	SCFM Displ @ 90 PSI	APPROX. KICK-IN PRESSURE	APPROX. KICK-OUT PRESSURE
20E20PN	2	Horiz. 20	115/15/1	7.1	6.0	90	120
20E20PC(C)	2	Horiz. 20 A.S.M.E.	115/15/1	7.1	6.0	90	120
30E25PN	3	Horiz. 25	115/15/1	9.8	8.4	90	120
30E30PC(C)	3	Horiz. 30 A.S.M.E.	115/15/1	9.8	8.4	90	120
50E25PN	5	Horiz. 25	230/15/1	12.7	10.6	90	120
50E30PC(C)	5	Horiz. 30 A.S.M.E.	230/15/1	12.7	10.6	90	120
50E30VPC	5	Vert. 30 A.S.M.E.	230/15/1	12.7	10.6	90	120

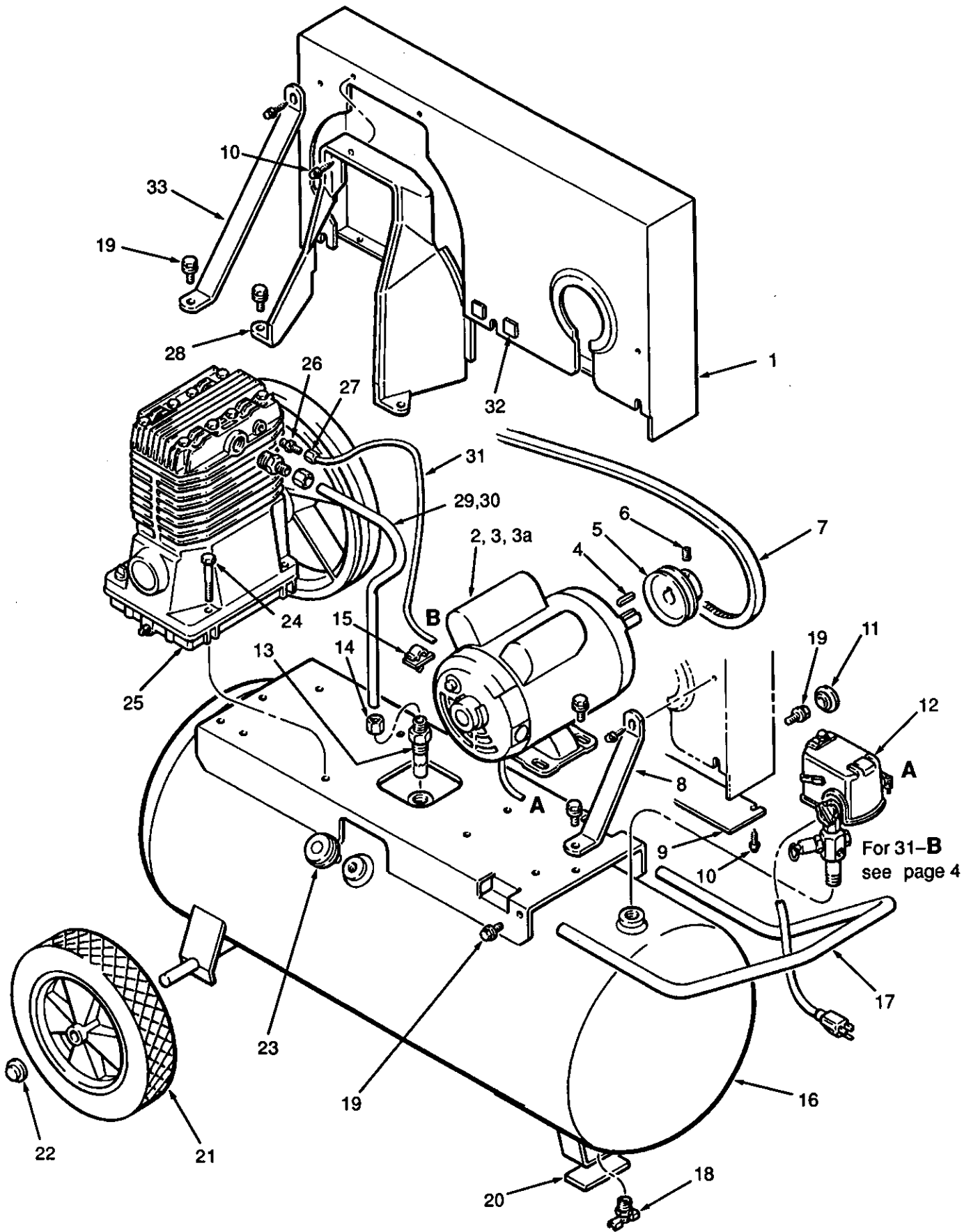
In the event you should have a question, or a concern, with the air compressor, **DO NOT** return it to the store where you purchased it. Most problems and concerns can be taken care of on the telephone!

Simply call (800) 544-5145 (Toll Free) and discuss the concern with our trained Customer Service Department.

Should you not be able to reach us at the above number, please check the Service Center Listing included with your instruction manual and call the Service Center nearest you for assistance.

CAUTION: Read the operator's manual carefully before attempting to operate or service this unit! FAILURE TO COMPLY WITH INSTRUCTIONS COULD RESULT IN: VOIDING OF YOUR WARRANTY, PERSONAL INJURY AND / OR PROPERTY DAMAGE! This Air Compressor is precision built from the finest materials and with proper care and maintenance will perform efficiently.

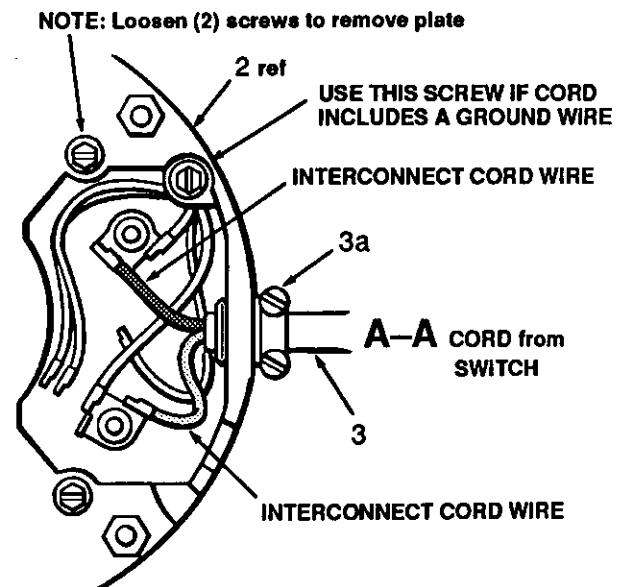
PARTS DRAWING



PARTS LIST

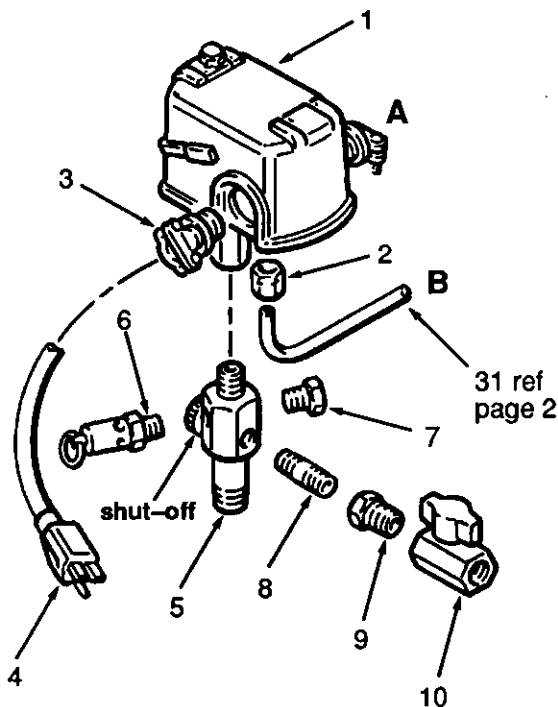
ITEM	PART NO	DESCRIPTION	QTY	ITEM	PART NO	DESCRIPTION	QTY
1	142-0049	BELT GUARD	1	26	068-0002	CONNECTOR, male 1/8" NPT x 1/4" O.D. tube	1
2	NOTE: Order one each of items 2, 3 & 3a. See MOTOR WIRING DETAIL below.			27	058-0017	COMP. NUT & SLEEVE	2
	160-0161	MOTOR, service special for 120 V models		28	142-0039	SHROUD	1
	or			29	068-0009	CONNECTOR, male 1/2" NPT x 1/2" O.D. tube	1
	160-0160	MOTOR, service special for 230V models	1	30	145-0194	TUBE, transfer, 2 & 3 H.P. models	
3	026-0188	CORD, interconnect A-A	1		or		
3a	071-0002	STRAIN RELIEF	1		145-0191	TUBE, transfer, 5 H.P. models	1
4	146-0016	KEY, 3/16 X 1"	1	31	145-0193	TUBE, bleeder B-B	1
5	006-0080	PULLEY, 2 & 3 H.P. models		32	094-0010	PAD, vibration	2
	or			33	114-0129	BRACKET, belt guard	1
	006-0103	PULLEY, 5 H.P. model	1	MODEL 20E20PN			
6	061-0006	SETSCREW, 5/16"-18 x 3/8" lg	1	2 H.P. with 20 gal. portable non-code tank			
7	007-0037	V-BELT, 2 H.P. models		MODEL 20E20PC(C)			
	or			2 H.P. with 20 gal. portable A.S.M.E tank			
	007-0049	V-BELT, 3 H.P. models		MODEL 30E25PN			
	or			3 H.P. with 25 gal. portable non-code tank			
	008-0036	V-BELT, 5 H.P. models	1	MODEL 30E30PC(C)			
8	114-0006	BRACKET, belt guard	1	3 H.P. with 30 gal. portable A.S.M.E tank			
9	125-0051	UNDERPAN	1	MODEL 50E25PN			
10	061-0055	SCREW, #10 sheet metal	8	5 H.P. with 25 gal. portable non-code tank			
11	093-0005	PLUG, button	3	MODEL 50E30PC(C)			
12	NA	MANIFOLD, SWITCH ASSY see page 4 for parts	1	5 H.P. with 30 gal. portable A.S.M.E tank			
13	031-0028	CHECK VALVE, 2 & 3 H.P. models		MOTOR WIRING DETAIL			
	or			NOTE: Loosen (2) screws to remove plate			
	031-0035	CHECK VALVE, 5 H.P. models	1	USE THIS SCREW IF CORD INCLUDES A GROUND WIRE			
14	058-0016	COMP. NUT & SLEEVE	2	INTERCONNECT CORD WIRE			
15	103-0049	CLIP, interconnect cord	1	3a			
16	130-0030	TANK ASSEMBLY, 20 gal includes items 16-22	1	A-A CORD from SWITCH			
	or			3			
	131-0018	TANK ASSEMBLY, 25 gal includes items 16-22	1	INTERCONNECT CORD WIRE			
	or						
	152-0022	TANK ASSEMBLY, 20 gal ASME includes items 16-22	1				
	or						
	153-0030	TANK ASSEMBLY, 30 gal ASME includes items 16-22	1				
17	112-0031	.HANDLE	1				
18	072-0001	.PETCOCK	1				
19	059-0012	.BOLT, lock 5/16"-18 x 1/2" lg quantity of 2 with tank assy	2				
20	094-0013	.PAD, vibration	1				
21	095-0014	.WHEEL, 10"	2				
22	033-0002	.HUB CAP, 5/8"	2				
23	032-0024	GAUGE	1				
24	059-0146	BOLT, 5/16" NC x 2 1/4"	4				
25	040-0130	PUMP ASSEMBLY, 130 pump model w/felt filter see page 5 for parts					
	or						
	040-0180	PUMP ASSEMBLY, 130 pump model w/canister filter see page 5 for parts					
	or						
	040-0136	PUMP ASSEMBLY, 165 pump model w/canister filter see page 5 for parts	1				

MOTOR WIRING DETAIL



PARTS DRAWING and LIST

Used w/ 115 Volt 15 Amp motor
or
Used w/ 230 Volt 15 Amp motor

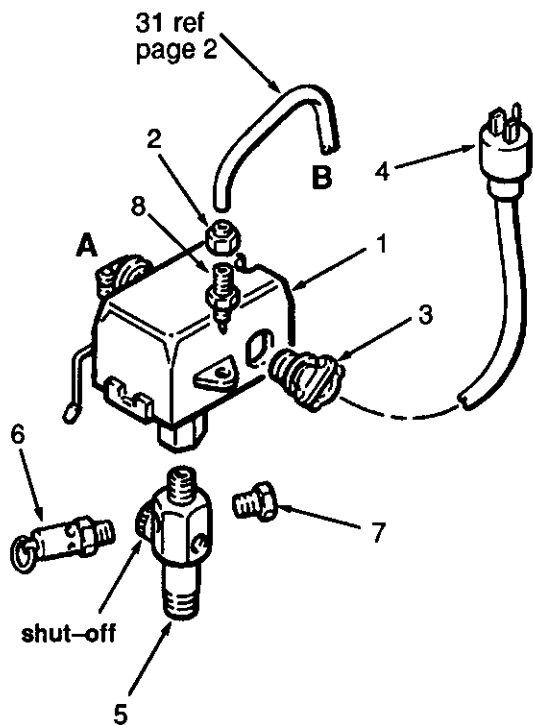


MODEL 20E20PN & 20E20PC(C) includes items 1-7

MODEL 50E25PN & 50E30PC(C) includes items 1-10

ITEM	PART NO	DESCRIPTION	QTY
1	034-0093	SWITCH, pressure	1
2	058-0017	COMP. NUT & SLEEVE	1
3	071-0002	STRAIN RELIEF	2
4	026-0123	CORD, power 125 Volt 15 Amp	
	or		
5	026-0130	CORD, power 250 Volt 15 Amp	1
	028-0032	MANIFOLD, cross for ASME units only includes item 6	
	or		
	028-0031	MANIFOLD, cross for non-code units only includes item 6	1
6	136-0037	.VALVE, pressure relief 135 # for ASME units only	1
	or		
	136-0036	.VALVE, pressure relief 135 # for non-code units only	1
7	062-0014	PLUG	1
8	065-0033	NIPPLE, 1/4" NPT x 1.5" lg	1
9	063-0026	BUSHING, 1/4" NPT x 3/8" NPT	1
10	073-0007	VALVE, 1/4 turn 3/8" NPT	1

Used w/ 115 Volt 15 Amp motor



MODEL 30E25PN & 30E30PC(C) includes items 1-8

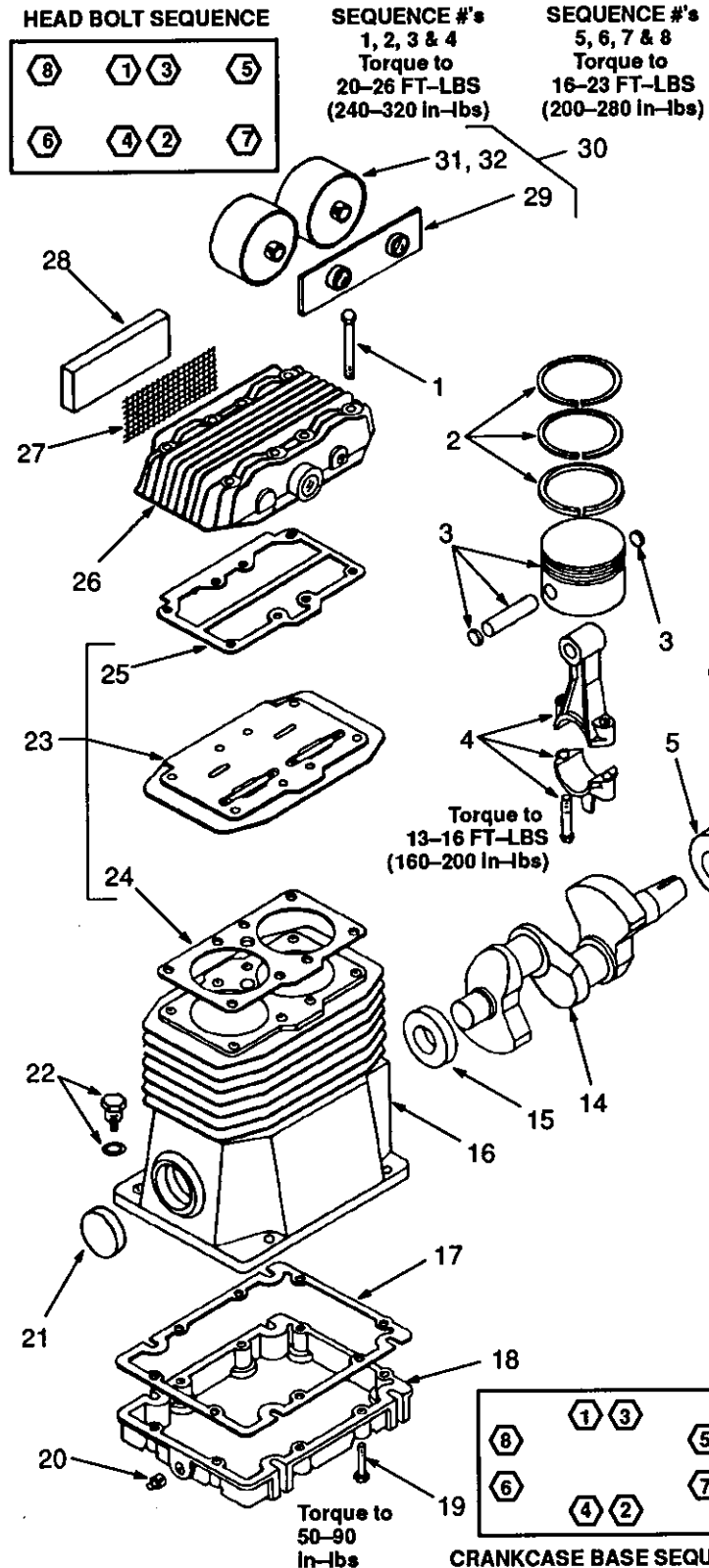
ITEM	PART NO	DESCRIPTION	QTY
1	034-0059	SWITCH, pressure	1
2	058-0017	COMP. NUT & SLEEVE	1
3	071-0002	STRAIN RELIEF	2
4	026-0084	CORD, power 125 Volt 15 Amp	1
5	028-0032	MANIFOLD, cross for ASME units only includes item 6	
	or		
	028-0031	MANIFOLD, cross for non-code units only includes item 6	1
6	136-0037	.VALVE, pressure relief 135 # for ASME units only	1
	or		
	136-0036	.VALVE, pressure relief 135 # for non-code units only	1
7	062-0014	PLUG	1
8	136-0038	VALVE, bleeder	1

PARTS DRAWING and LIST

130 PUMP 040-0130 includes items 1-28
for models 20E20PN & 20E20PC(C)

130 PUMP 040-0180 includes items 1-26, 29-31
for models 30E25PN & 30E30PC(C)

165 PUMP 040-0136 includes items 1-26, 29-31
for models 50E25PN & 50E30PC(C)

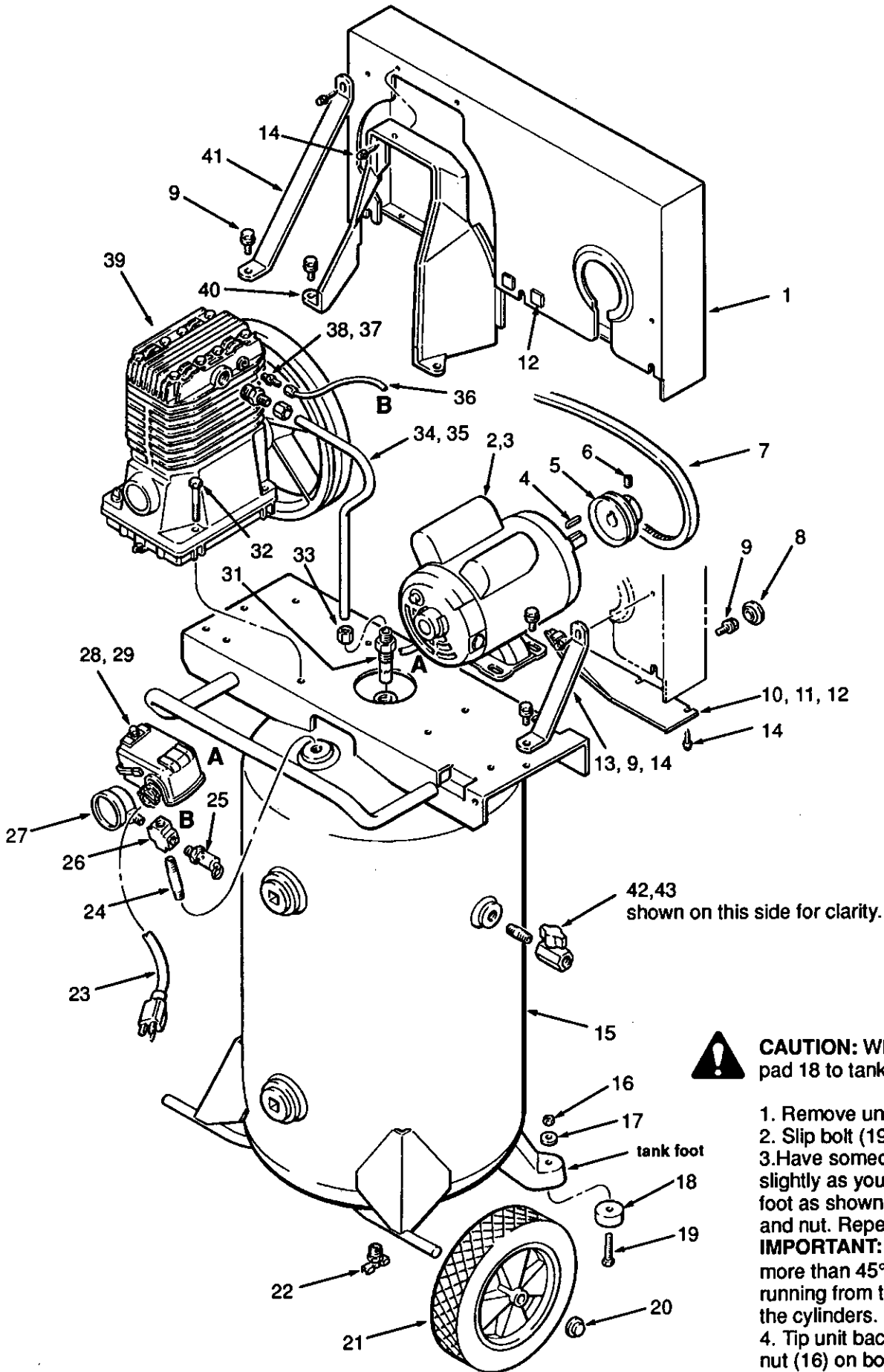


ITEM	PART NO	DESCRIPTION	QTY
1	059-0151 and 059-0144	SCREW, stud 5/16" x 3.5" lg	1
2	054-0112	SCREW, 5/16" x 2.5" lg RING SET, includes taper face, scraper groove and an oil ring group	7
3	048-0065	PISTON ASSEMBLY includes piston w/wrist pin & 2 ret. caps and item 2	1
4	047-0072 047-0070	ROD, connecting, 130 pump ROD, connecting, 165 pump	2
5	051-0043	BEARING,	1
6	046-0149	GASKET, bearing carrier	1
7	045-0047	CARRIER, bearing	1
8	059-0143	SCREW, 5/16" x 7/8" lg	4
9	059-0002	SCREW, 5/16" NC x 1" lg	1
10	060-0053	WASHER, flywheel	1
11	146-0016	KEY, 3/16" sq x 1" lg	1
12	044-0039	FLYWHEEL, 12" O.D. A-width 130 pump FLYWHEEL, 12" O.D. B-width 165 pump	1
13	046-0161	SEAL, oil	1
14	053-0041	CRANKSHAFT 130 pump	1
15	051-0013	CRANKSHAFT 165 pump	1
16	049-0035	BEARING	1
17	046-0150	CRANKCASE	1
18	077-0065	GASKET, crankcase base	1
19	059-0145	BASE, crankcase	1
20	059-0145 062-0002	SCREW, 1/4" x 1 1/4" lg PLUG, 1/8" NPT	8 1

21	062-0043	PLUG, expansion 1 3/4" dia.	1
22	056-0019	DIPSTICK w/o-ring	1
23	043-0143	PLATE, valve assembly includes items 24 & 25	1
24	046-0152	.GASKET, cylinder	1
25	046-0151	.GASKET, head	1
26	042-0068	HEAD	1
27	118-0023	SCREEN, felt filtered models	1
28	019-0052	FILTER, inlet, felt filtered models	1
29	019-0096	.PLATE, filter	1
30	019-0090	CANISTER FILTER ASSEMBLY includes items 29 & 31	1
31	019-0049	.CANISTER, filter, includes item 32	1
32	019-0053	.ELEMENT, filter	1

PART NO	SERVICE KIT DESCRIPTION
046-0159	GASKETS, complete set
165-0083	OVERHAUL KIT, felt filter models include ring and gasket sets, valve plate assembly and filter element
165-0055	OVERHAUL KIT, canister filter models include ring and gasket sets, valve plate assembly and filter elements

PARTS DRAWING



CAUTION: When you assemble pad 18 to tank follow these steps:

1. Remove unit from pallet.
2. Slip bolt (19) thru pad (18).
3. Have someone tip unit back slightly as you put bolt thru tank foot as shown and apply washer and nut. Repeat other side. **IMPORTANT: DO NOT** tip unit more than 45° to prevent oil from running from the crankcase into the cylinders.
4. Tip unit back down and tighten nut (16) on both sides.

PARTS LIST

MODEL 50E30VPC 5 H.P. with 30 gal portable A.S.M.E tank

ITEM	PART NO	DESCRIPTION	QTY
1	142-0049	BELT GUARD	1
2	NOTE: Order one each of items 2, 3 & 3a. See MOTOR WIRING DETAIL below.		
	160-0160	MOTOR, service special for 230V models	1
3	026-0188	CORD, interconnect A-A	1
3a	071-0002	STRAIN RELIEF	1
4	146-0016	KEY, 3/16 X 1"	1
5	006-0103	PULLEY, 3.75" dia	1
6	061-0006	SETSCREW, 5/16"-18 x 3/8" lg	1
7	008-0036	V-BELT,	1
8	093-0005	PLUG, button	3
9	059-0012	.BOLT, lock 5/16"-18 x 1/2" lg	12
10	125-0091	UNDERPAN, right (shown)	1
11	125-0092	UNDERPAN, left (other side)	1
12	094-0010	PAD, vibration	4
13	114-0006	BRACKET, belt guard	1
14	061-0055	SCREW, #10 sheet metal	8
15	153-0031	TANK ASSEMBLY, 30 gal ASME includes items 16-22	1
16	058-0032	.NUT, 1/4"-32	2
17	060-0005	.WASHER, flat	2
18	094-0018	.PAD, vibration	2
19	059-0207	.SCREW, cap 1/4"-20 x 1.5" lg	2
20	095-0012	.WHEEL, 10"	2
21	033-0002	.CAP, hub 5/8"	2
22	072-0001	.PETCOCK, 1/4"	1
23	026-0130	CORD, power	1
24	065-0005	NIPPLE, 1/4"	1
25	136-0037	VALVE, pressure relief ASME	1
26	028-0005	CROSS	1
27	032-0025	GAUGE, 300 PSI	1
28	034-0088	SWITCH, pressure	1
29	071-0002	STRAIN RELIEF	2
31	031-0035	CHECK VALVE	1
32	059-0146	BOLT, 5/16" NC x 2 1/4"	4
33	058-0016	COMP. NUT & SLEEVE	2
34	145-0191	TUBE, transfer 1/2"	1
35	068-0009	CONNECTOR, male 1/2" NPT x 1/2" O.D. tube	1
36	145-0192	TUBE, bleeder 1/4" B-B	1
37	058-0017	COMP. NUT & SLEEVE	2
38	068-0002	CONNECTOR, male 1/8" NPT x 1/4" O.D. tube	1
39	040-0136	PUMP ASSEMBLY 165 pump model w/ canister filter see page 5 for parts	1
40	142-0039	SHROUD	1
41	114-0129	BRACKET, belt guard	1
42	073-0007	VALVE, 1/4 turn 3/8" NPT	1
43	065-0032	NIPPLE, 3/8" NPT	1

MOTOR WIRING DETAIL

