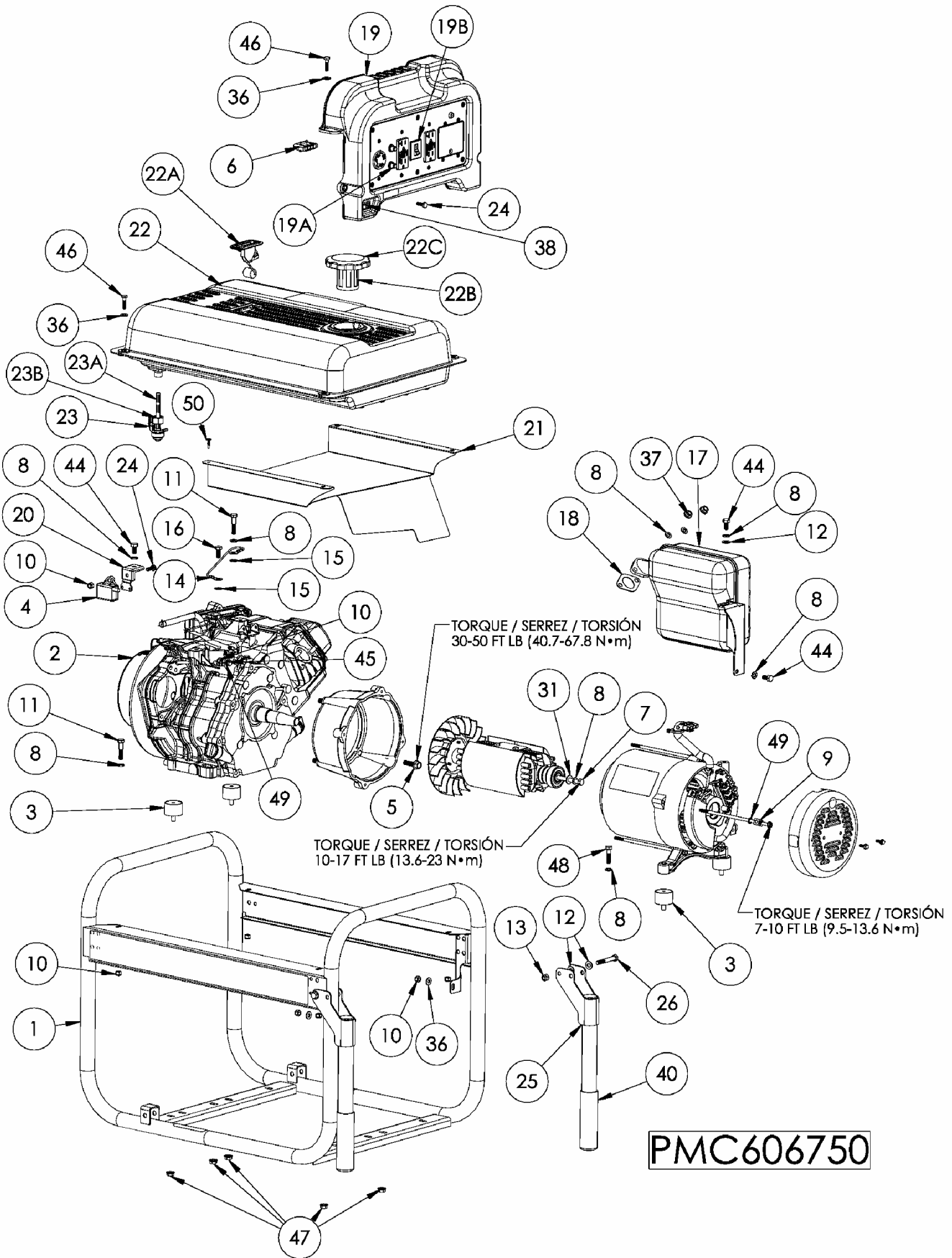


PARTS DRAWING / SCHEMA DES PIÈCES / DIAGRAMA DE PIEZAS



PARTS LIST / LISTE DES PIÈCES / LISTA DE PIEZAS

| REF. NO. | PART NO. | DESCRIPTION | DESCRIPTION | DESCRIPCIÓN | QTY |
|----------|----------|-------------------------------|---------------------------------------|-------------------------------|-----|
| 1 | 0063806 | Carrier, assembly | Ensemble transport | Transportador, conjunto | 1 |
| 2 | Note A | Engine 12 hp Yamaha OHV | Moteur | Motor | 1 |
| 3 | 0051094 | Isolator | Sectionneur | Aislador | 4 |
| 4 | 0064107 | Module, low oil | Module, bas niveau d'huile | Módulo, nivel bajo de aceite | 1 |
| 5 | 0057512 | Bolt whz 3/8-18 x 1 1/4 | Boulon | Perno | 4 |
| 6 | 0062797 | Connector, panel | Connecteur, tableau | Conector, panel | 1 |
| 7 | 0063935 | Bolt, hex 5/16-24 x 9.50 | Boulon | Perno | 1 |
| 8 | Note B | Washer, lock 5/16 | Contre-écrou 5/16 | Arandela, de cierre 5/16 | 10 |
| 9 | 0008854 | Lug, ground | Oeillet de mise à la terre | Terminal, tierra | 1 |
| 10 | 0040832 | Nut, nyloc 1/4-20 | Écrous nyloc 1/4-20 | Tuerca, nyloc 1/4-20 | 8 |
| 11 | Note B | Bolt, 5/16-18 x 1 1/2 | Boulon | Perno | 2 |
| 12 | Note B | Washer, flat 5/16 | Rondelle plates 5/16 | Arandela, plana 5/16 | 5 |
| 13 | 0048736 | Nut, nyloc 5/16-18 | Écrous nyloc 5/16-18 | Tuerca, nyloc 5/16-18 | 2 |
| 14 | 0049224 | Assembly, ground wire | Ensemble fil de masse tressé a tierra | Conjunto, cable trenzado | 1 |
| 15 | Note B | Washer, star external 5/16 | Rondelle à dents externa 5/16 | Arandela, estrella | 2 |
| 16 | Note B | Bolt, hex 5/16-18 x 3/4 | Boulon, tête hex 5/16-18 x 3/4 | Perno | 1 |
| 17 | 0063822 | Muffler | Silencieux | Silenciador | 1 |
| 18 | 0063701 | Gasket | Joint | Empaquetadura | 1 |
| 19 | 0064237 | Panel, wired | Tableau complet câblé | Panel, cabeado completo | 1 |
| 19A | 0049071 | Circuit Breaker 20 amp | Disjoncteurs 20 amp | Cortacircuitos 20 amp | 2 |
| 19B | 0062199 | Circuit Breaker 25 amp dual | Disjoncteurs 25 amp | Cortacircuitos 25 amp | 1 |
| 20 | 0063830 | Bracket, low oil | Support, bas niveau d'huile | Soporte, nivel bajo de aceite | 1 |
| 21 | 0064084 | Shield, heat | Écran de chaleur | Pantalla para el calor | 1 |
| 22 | Note C | Fuel tank assembly | Ensemble complet du réservoir | Conjunto tanque | 1 |
| 22A | 0061817 | Fuel Gauge/Screws | Combustible Indicateur/Tornillos | Essence Écartement/Visser | 1 |
| 22B | 0061942 | Strainer Basket | Passoire Panier | Colador Canasta | 1 |
| 22C | 0061816 | Fuel Cap | Capuchon | Tapa de combustible | 1 |
| 23 | 0061811 | Fuel Shut Off | Fermeture d'essence | Apagado combustible | 1 |
| 23A | 0061876 | Filter, fuel valve and washer | Filtre et rondelles | Filtro y arandela | 1 |
| 23B | 0061875 | Nut, fuel valve | Écrous | Tuerca | 1 |
| 24 | Note B | Bolt, 1/4-20 x 3/4 | Boulon | Perno | 3 |
| 25 | 0064178 | Handle | Poignée | Manija | 2 |
| 26 | Note B | Bolt, 5/16-18 x 2 1/4 | Boulon | Perno | 2 |
| 27 | Note B | Washer, flat 3/8 | Rondelle plates 3/8 | Arandela, plana 3/8 | 2 |
| 28 | 0057704 | Wheel | Roue | Rueda | 2 |
| 29 | 0055894 | Rubber Foot | Pied | Pie | 2 |
| 30 | 0062174 | Lanyard | Lanyard | Acollador | 2 |
| 31 | 0058933 | Washer, flat 1/4 W | Rondelle plates 1/4 large | Arandela, plana 1/4 lejos | 1 |
| 32 | Note B | Bolt, 3/8-16 x 4.25 | Boulon | Perno | 2 |
| 33 | 0057578 | Nut, nyloc 3/8-16 | Écrous nyloc 3/8-16 | Tuerca, nyloc 3/8-16 | 2 |
| 34 | 0062502 | Pin, release | Épingle de relâchement | Alfileres de la liberación | 2 |
| 35 | 0058955 | Cap, plastic | Capuchon | Tapa | 2 |
| 36 | Note B | Washer, flat 1/4 | Rondelle plates 1/4 | Arandela, plana 1/4 | 6 |
| 37 | 0064108 | Nut whz 8mm | Écrous | Tuerca | 2 |
| 38 | 0050298 | Switch, Rocker | Interrupteur | Interruptor | 1 |
| 39 | 0062433 | Wheel spacer | Bague d'espacement | Espaciador de la rueda | 2 |
| 40 | 0062495 | Grip, handle | Poignée | Empuñadura | 2 |
| 42 | Note B | Bolt, 5/16-18 x 4 | Boulon | Perno | 2 |
| 43 | 0063212 | Bracket, foot | Support de pied | Soporte del pie | 1 |
| 44 | 0049268 | Bolt, M8 x 16mm | Boulon | Perno | 3 |
| 45 | Note B | Bolt, 1/4-20 x 1 1/4 | Boulon | Perno | 1 |
| 46 | Note B | Bolt, 1/4-20 x 1 | Boulon | Perno | 4 |
| 47 | 0057254 | Nut, hex flg 5/16-18 | Écrous 5/16-18 | Tuerca 5/16-18 | 7 |
| 48 | Note B | Bolt, 5/16-18 x 1 1/4 | Boulon | Perno | 2 |
| 49 | Note B | Washer, star external 1/4 | Rondelle à dents externa 1/4 | Arandela, estrella | 2 |
| 50 | 0064138 | Screw #10 x .75 | Vis | Tornillo | 2 |

PARTS LIST / LISTE DES PIÈCES / LISTA DE PIEZAS

| Ref No. | Part No. | Description | Description | Descripción | Qty |
|---------|----------|-----------------------|------------------------------------|-------------------------------------|-----|
| 51 | 0063821 | Generator head, Sumec | Tête de la génératrice, Sumec | Cabezal del generador, Sumec | 1 |
| 51A | 0063300 | Adapter, engine | Adaptateur pour moteur | Adaptor, motor | 1 |
| 51B | 0063940 | Rotor | Rotor | Rotor | 1 |
| 51C | 0063941 | Stator | Stator | Estator | 1 |
| 51D | 0063942 | Band, stator cover | Bande | Banda | 1 |
| 51E | 0063943 | Bolt, M6 x 195 | Boulon | Perno | 4 |
| 51F | 0063229 | Support, bearing | Support, roulement | Soporte, Cojinete | 1 |
| 51G | 0063230 | Brush module | Brosser le module | Cepille módulo | 1 |
| 51H | 0063231 | Screw flg M5 x 16mm | Vis | Tornillo | 8 |
| 51I | 0063948 | AVR module | La tension automatique régulatrice | El regulador automático del voltaje | 1 |
| 51J | 0063944 | Bolt, M5 x 230 | Boulon | Perno | 2 |
| 51K | 0063235 | Nut, nyloc M5 | Écrous nyloc | Tuerca nyloc | 2 |
| 51L | 0063236 | Terminal block | Bloc délimitant | Bloque terminal | 1 |
| 51M | 0063237 | Washer M5 | Rondelle | Arandela | 8 |
| 51N | 0063238 | Washer, lock M5 | Contre-écrou | Arandela, de cierre | 10 |
| 51O | 0063239 | Nut M5 | Écrous | Tuerca | 8 |
| 51P | 0063240 | Cover, end | Couvercle | Tapa | 1 |
| 51Q | 0063241 | Screw flg M5 x 8mm | Vis | Tornillo | 2 |
| 51R | 0063225 | Fan | Ventilateur | Ventilador | 1 |
| 51S | 0063364 | Screw M5 x 20mm | Vis | Tornillo | 4 |
| 51T | 0063365 | Bearing | Roulement | Cojinete | 1 |
| 51U | 0063932 | Stator harness | Harnais de stator | Arreos de estator | 1 |

