

PORTABILITY KIT INSTALLATION

TOOLS REQUIRED: 7/16", 1/2" and 9/16" sockets and ratchets, block(s) of wood (minimum of 6" tall).

Refer to the parts list on page 9.

WHEEL INSTALLATION

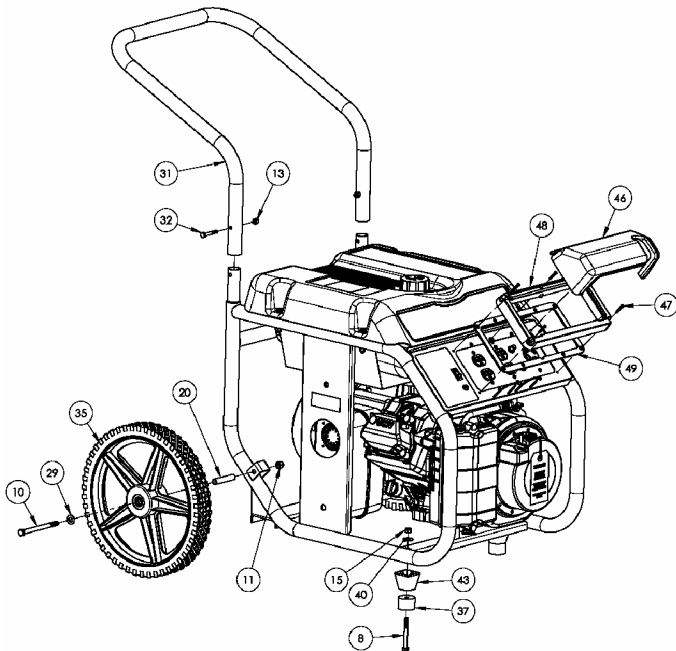
1. Block up end of generator opposite the fuel tank cap to install wheel kit.
2. Insert wheel spacer (**item 20**) into the center of the wheel (**item 35**).
3. Slide 3/8 x 4.75" bolt (**item 10**) through the 3/8 washer (**item 29**) and wheel (**item 35**), then through the wheel bracket on the carrier, with the offset side of the wheel hub against the wheel bracket.
4. Thread 3/8 nyloc nut (**item 11**) onto the bolt and tighten to securely clamp the wheel assembly to the tubing.
5. Repeat above instructions for the remaining wheel.

FOOT INSTALLATION

1. Blocking up the engine side of the generator, place a spacer (**item 43**) and a foot (**item 37**) under the carrier channel. Thread a 5/16-18 x 2.75" bolt (**item 8**) through the mounting holes and thread a 5/16 washer (**item 40**) and a 5/16 nyloc nut (**item 15**) to the bolt to secure the foot to the carrier. **Caution: Do not over tighten so that the foot material collapses.**
2. Repeat step 1 for the remaining foot.

HANDLE INSTALLATION

1. Place the handle (**item 31**) onto the reduced portion of the upright tubes of the base as shown in the diagram.
2. Install the 1/4-20 x 1.75" bolts (**item 32**) through the tubes from the outside.
3. Thread the 1/4" nyloc nuts (**item 13**) onto the bolts and tighten. **NOTE: Do not over tighten.**



LIMITED WARRANTY

Warranty Coverage: Powermate Corporation (the Company) warrants to the original retail customer in North America that it will repair or replace, free of charge, any parts found by the Company or its authorized service representative to be defective in material or workmanship. This warranty covers the cost of replacement parts and labor for defects in material or workmanship.

Not Covered:

- Transportation charges for sending the product to the Company or its authorized service representative for warranty service, or for shipping repaired or replacement products back to the customer; these charges must be borne by the customer.
- Engine is covered exclusively by a separate warranty from the engine manufacturer, included with the engine Manual.
- Damages caused by abuse or accident, and the effects of corrosion, erosion and normal wear and tear.
- Warranty is voided if the customer fails to install, maintain and operate the product in accordance with the instructions and recommendations of the Company set forth in the owner's manual, or if the product is used as rental equipment.
- The Company will not pay for repairs or adjustments to the product, or for any costs or labor, performed without the Company's prior authorization.

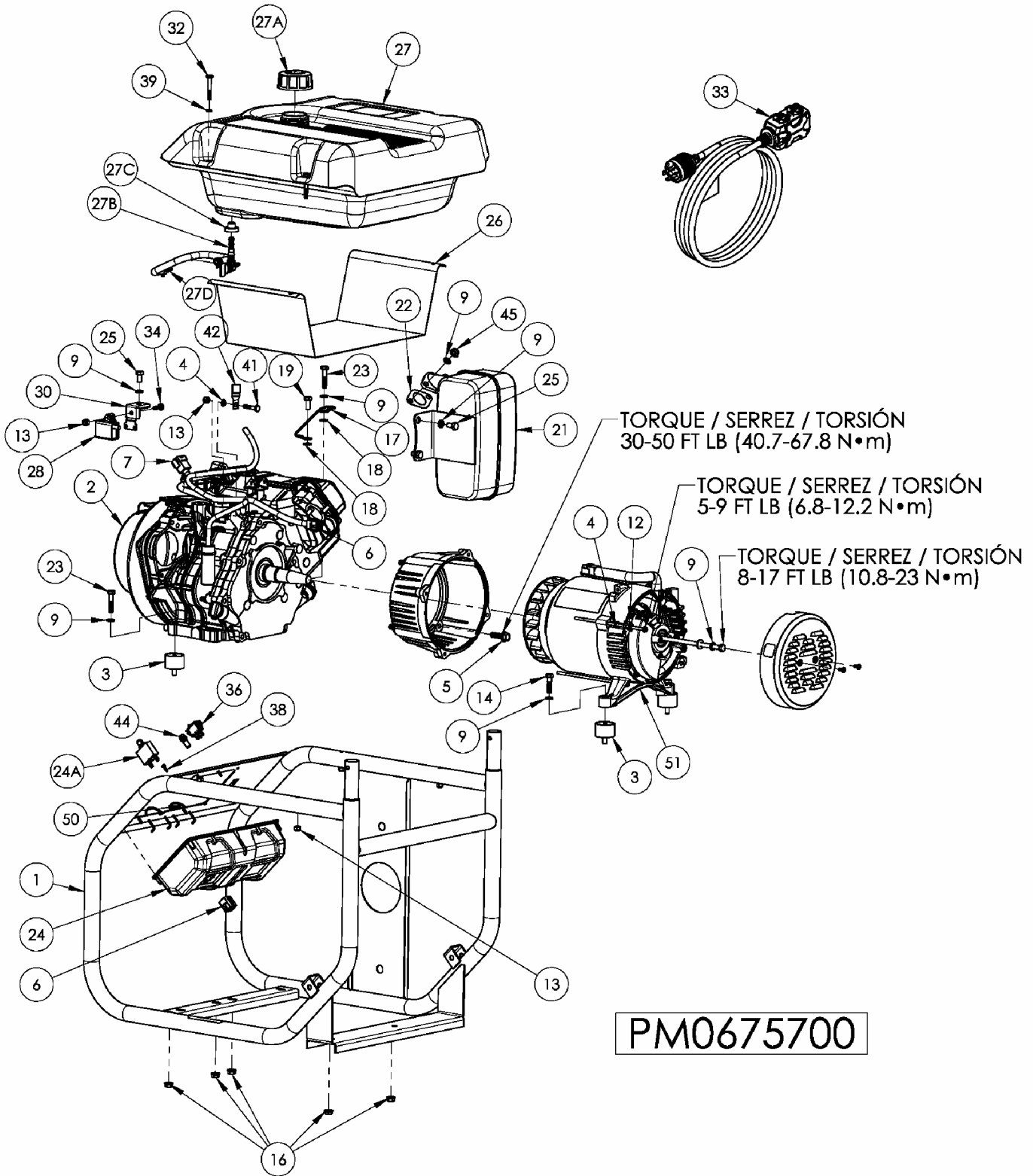
Warranty Period: Three (3) years from the date of purchase on products used solely for consumer applications; if a product is used for business or commercial applications, the warranty period will be limited to one (1) year from the date of purchase. For warranty service, the customer must provide dated proof of purchase and must notify the Company within the warranty period.

For warranty service: Call toll free 800-445-1805, or write to Powermate Corporation, Product Services, 4970 Airport Road, P. O. Box 6001, Kearney, NE 68848.

EXCLUSIONS AND LIMITATIONS: THE COMPANY MAKES NO OTHER WARRANTY OF ANY KIND, EXPRESS OR IMPLIED. IMPLIED WARRANTIES, INCLUDING WARRANTIES OF MERCHANTABILITY AND OF FITNESS FOR A PARTICULAR PURPOSE, ARE HEREBY DISCLAIMED. THE WARRANTY SERVICE DESCRIBED ABOVE IS THE EXCLUSIVE REMEDY UNDER THIS WARRANTY; LIABILITY FOR INCIDENTAL AND CONSEQUENTIAL DAMAGES IS EXCLUDED TO THE EXTENT PERMITTED BY LAW.

This warranty gives you specific legal rights, and you may also have other rights which vary from state to state. Some states do not allow a disclaimer of implied warranties, or the exclusion or limitation of incidental and consequential damages, so the above disclaimers and exclusions may not apply to you.

PARTS DRAWING / SCHEMA DES PIÈCES / DIAGRAMA DE PIEZAS



PARTS LIST / LISTE DES PIÈCES / LISTA DE PIEZAS

REF. NO.	PART NO.	DESCRIPTION	DESCRIPTION	DESCRIPCIÓN	QTY
1	0065251	Carrier, assembly	Ensemble transport	Transportador, conjunto	1
2	Note A	Engine 10 hp Yamaha OHV	Moteur	Motor	1
3	0051094	Isolator	Sectionneur	Aislador	4
4	Note B	Washer, star external 1/4	Rondelle à dents externa 1/4	Arandela, estrella 1/4	2
5	0057512	Bolt whz 3/8-16 x 1.25	Boulon	Perno	4
6	0062196	Connector, panel	Connecteur, tableau	Conector, panel	2
7	0056716	Connector, stator	Connecteur, stator	Conector, estator	1
8	Note B	Bolt, hex 5/16-18 x 2.75	Boulon	Perno	2
9	Note B	Washer, lock 5/16	Contre-écrou 5/16	Arandela, de cierre 5/16	10
10	Note B	Bolt, 3/8-16 x 4.75	Boulon	Perno	2
11	0057578	Nut, nyloc 3/8-16	Écrous nyloc 3/8-16	Tuerca, nyloc 3/8-16	2
12	0008854	Lug, ground	Oeillet de mise à la terre	Terminal, tierra	1
13	0040832	Nut, nyloc 1/4-20	Écrous nyloc 1/4-20	Tuerca, nyloc 1/4-20	8
14	Note B	Bolt, 5/16-18 x 1.25	Boulon	Perno	2
15	0048736	Nut, nyloc 5/16-18	Écrous nyloc 5/16-18	Tuerca, nyloc 5/16-18	2
16	0057254	Nut, hex flg 5/16-18	Écrous 5/16-18	Tuerca, 5/16-18	5
17	0049224	Assembly, ground wire	Ensemble fil de mise à la terre	Conjunto, câble de tierra	1
18	Note B	Washer, star external 5/16	Rondelle à dents externa 5/16	Arandela, estrella 5/16	2
19	Note B	Bolt, hex 5/16-18 x .75	Boulon, tête hex 5/16-18 x 3/4	Perno 5/16-18 x 3/4	1
20	0065274	Spacer .38 ID	Entretoise	Espaciador	2
21	0065185	Muffler	Silencieux	Silenciador	1
22	0063701	Gasket	Joint	Empaquetadura	1
23	Note B	Bolt, 5/16-18 x 1.50	Boulon	Perno	2
24	0065264	Panel, wired	Tableau compl. câblé	Panel, cabeado completo	1
24A	0049072	Circuit Protector 25 amp	Protecteur de circuit 25 amp	Protector de circuito 25 amp	2
25	0049268	Bolt M8 x 16mm	Boulon M8 x 16mm	Perno M8 x 16mm	3
26	0065278	Shield, heat	Écran de chaleur	Pantalla para el calor	1
27	Note C	Fuel tank assembly	Assemb. complet du réservoir	Conjunto tanque	1
27A	0064057	Fuel Cap	Capuchon	Tapa de combustible	1
27B	0061756	Fuel shut off with filter	Robinet de carburant	Válvula combustible con filtro	1
27C	0062673	Fuel Bushing	Bague d'essence	Buje de combustible	1
27D	0064306	Fuel connector	Connecteur à carburant	Conector combustible	1
28	0064107	Module, low oil	Module, bas niveau d'huile	Módulo, nivel bajo de aceite	1
29	Note B	Washer, flat 3/8	Rondelle plates 5/16	Arandela, plana 5/16	2
30	0063830	Bracket, low oil	Support, bas niveau d'huile	Soporte, nivel bajo de aceite	1
31	0065271	Handle	Poignée	Manija	1
32	Note B	Bolt, 1/4-20 x 1.75	Boulon	Perno	6
33	0063876	Cordset, 25 foot 30 amp	Ensemble de cordons, 25 pieds 30A	Juego de cordón, 25 pies 30 amperios	1
34	Note B	Bolt, 1/4-20 x .75	Boulon	Perno	1
35	0062058	Wheel	Roue	Rueda	2
36	0050298	Switch, Rocker	Interrupteur	Interruptor	1
37	0055894	Foot rubber	Pied	Pie	2
38	0062020	Screw #6-19 x .50 Torx	Vis	Tornillo	4
39	0062093	Washer Nylon .25 ID	Rondelle en nylon	Arandela del nilón	4
40	0049352	Washer, flat 5/16 W	Rondelle plates 5/16 large	Arandela, plana 5/16 lejos	2
41	Note B	Bolt, 1/4-20 x 1.25	Boulon	Perno	1
42	0052931	J clamp	Collier	Pinza vinilica	1
43	0062932	Spacer, foot	Entretoise	Espaciador	2
44	0064072	Oil warning light	Huiler l'Avertissement Allume	La luz de la advertencia para el aceite	1
45	0062567	Nut M8	Écrous M8	Tuerca M8	2
46	0065180	Plastic cover	Couvercle en plastique	Cubierta de plástico	1
47	0065216	Screw, #6-19 x 1	Vis	Tornillo	5
48	0065179	Plastic bezel	Cadre en plastique	Bisel de plástico	1
49	0065181	Gasket	Joint	Empaque	1
50	0055982.01	Cord Keeper™	Cord Keeper™	Cord Keeper™	2

PARTS LIST / LISTE DES PIÈCES / LISTA DE PIEZAS

Ref No.	Part No.	Description	Description	Descripción	Qty
51	0064680	Generator head, Senci	Tête de la génératrice,	Cabezal del generador, Senci	1
51A	0064681	Adapter, engine	Adaptateur pour moteur	Adaptor, motor	1
51B	0064518	Rotor	Rotor	Rotor	1
51C	0064519	Stator	Stator	Estator	1
51D	0064520	Band, stator cover	Bande	Banda	1
51E	0064521	Bolt, M6 x 180	Boulon	Perno	4
51F	0064522	Support, bearing	Support, roulement	Soporte, Cojinete	1
51G	0064523	Brush module	Brosser le module	Cepille módulo	1
51H	0064524	Screw flg M5 x 16mm	Vis	Tornillo	5
51I	0064525	AVR module	La tension automatique régulatrice	El regulador automático del voltaje	1
51J	0064526	Bolt, M5 x 220	Boulon	Perno	2
51K	0064527	Nut, nyloc M5	Écrous nyloc	Tuerca, nyloc	2
51L	0064532	Cover, end	Couvercle	Tapa	1
51M	0064636	Screw M5 x 12	Vis	Tornillo	2
51N	0064637	Washer M5	Rondelle	Arandela	2
51O	0064536	Bearing	Roulement	Cojinete	1
51P	0064537	Stator harness	Harnais de stator	Arreos de estator	1
51Q	0058933	Washer 1/4 wide	Rondelle 1/4 large	Arandela 1/4 lejos	1
51R	Note B	Washer lock 5/16	Contre-écrou	Arandela, de cierre	1
51S	0046540.03	Bolt, hex 5/16-24 x 9.00	Boulon, tête hex	Perno, hexagonal	1

