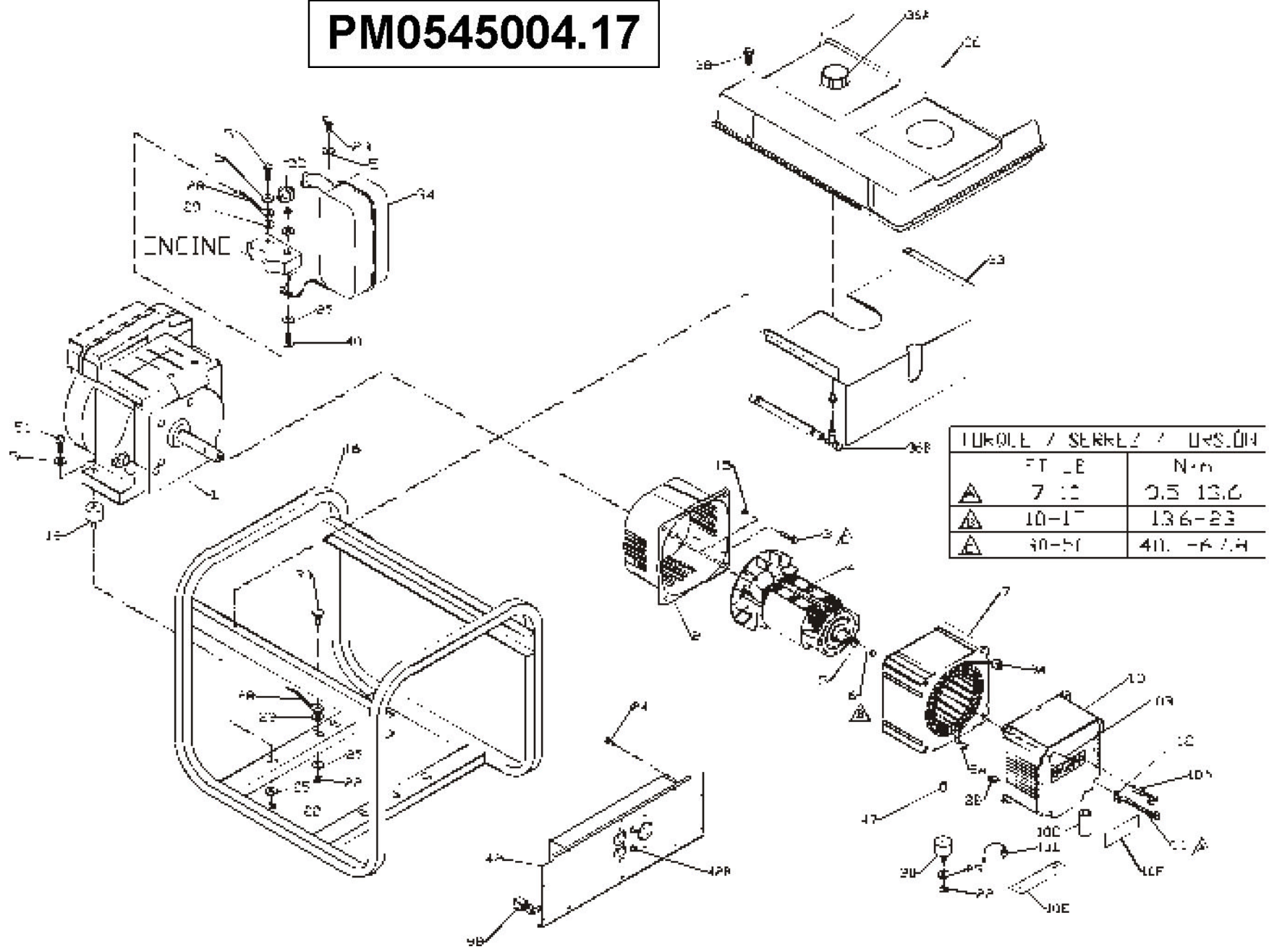


PM0545004.17



PARTS DRAWING / DES PIÈCES / REPUESTOS

PARTS LIST / LISTE DES PIÈCES / LISTA DE REPUESTOS

| Ref No. | Part No. | Description | Description | Descripción | Qty |
|---------|------------|----------------------------|-----------------------------------|-----------------------------------|-----|
| 1 | Note A | Engine, 10 hp OHV | Moteur | Motor | 1 |
| 2 | 0050236.01 | Adapter, engine | Adapateur por moteur | Adaptor, motor | 1 |
| 3 | 0000919.01 | Bolt, Wz 3/8-16 x 3/4 | Boulon, wz | Perno, wz | 4 |
| 4 | 0049620 | Rotor, 5.0 KW | Rotor | Rotor | 1 |
| 5 | Note B | Washer, lock 5/16 | Contre-écrou | Arandela, de cierre | 5 |
| 6 | 0035055 | Bolt, hex 5/16-24 x 6.63 | Boulon, tête hex | Perno, hexagonal | 1 |
| 7 | 0055635 | Stator, 5.0 KW, 60 Hz | Stator | Stator | 1 |
| 8A | 0056717 | Connector, stator | Jeu pr logemt prise, stator | Conjunto de conectores stator | 1 |
| 8B | 0049835 | Connector hsg set endbell | Jeu pr logemt prise | Conjunto de conectores | 1 |
| 9A | 0056716 | Connector, stator | Jeu pr logemt prise, stator | Conjunto de conectores stator | 1 |
| 9B | 0049201 | Connector hsg set panel | Jeu pr logemt prise, panneau | Conjunto de conectores panel | 1 |
| 10 | 0050237.01 | Endbell, wired complete | Covre-enroulement câblage complet | Placea lateral cableado completo | 1 |
| 10A | 0050439 | Brush, E-4R | Balais | Escobilla | 2 |
| 10B | 0035188 | Bearing, needle | Roulement à aiguilles | Cojinete, aguja | 1 |
| 10C | 0034819.01 | Capacitor | Capaciteur | Capacitor | 1 |
| 10D | 0006296 | Diode | Diode | Diodos | 2 |
| 10E | 0038976 | Heat sink, diode | Diode dissipatrice de chaleur | Sumidero térmico, diodos | 1 |
| 10F | 0048844 | Cover, brush | Couvre-balais | Cubierta, escobill | 1 |
| 11 | 0040816.01 | Bolt, hex hd 1/4-20 x 6 | Boulon, tête hex | Perno, hexagonal | 4 |
| 12 | 0008854 | Lug, ground | Oeillet de mise à la terre | Terminal, tierra | 1 |
| 15 | 0040832 | Nut, nyloc 1/4-20 | Écrous nyloc | Tuerca, nyloc | 4 |
| 16 | 0058812 | Carrier assembly | Ensemble transport | Transportador, conjunto | 1 |
| 19 | 0051094 | Isolator, engine | Sectionneurs moteur | Aislador, motor | 2 |
| 20 | 0049743 | Isolator, stator | Sectionneurs stator | Aislador, estator | 1 |
| 22 | 0048736 | Nut, nyloc 5/16-18 | Écrous nyloc | Tuerca, nyloc | 5 |
| 23 | Note B | Bolt, 5/16-18 x .63 | Boulon | Perno | 2 |
| 24 | 0053320 | Screw #10-14 x .63 | Vis | Tornilla | 4 |
| 25 | Note B | Washer, flat 5/16 | Rondelles plates | Arandela, plana | 6 |
| 28 | 0049224 | Assy, ground wire | Ens fil de masse tressé | Conjunto, cable trenzado a tierra | 1 |
| 29 | Note B | Washer, star external 5/16 | Rondelles à dents ext. | Arandela, estrella externa | 2 |
| 30 | Note B | Bolt, hex 5/16-18 x 3/4 | Boulon, tête hex | Perno, hexagonal | 1 |
| 33 | 0057634 | Shield, heat | Écran de chaleur | Pantalla para el calor | 1 |
| 34 | 0057075 | Muffler | Silencieux | Silenciador | 1 |
| 36 | Note C | Tank assy, complete | Ass.complet du réservoir | Conjunto tanque completo | 1 |
| 36A | 0055340 | Cap, fuel | Capuchon | Tapa | 1 |
| 36B | 0049114 | Fuel shut off with filter | Robinet de carburant | Válvula combustible | 1 |
| 38 | 0058618 | Screw, #10 x 1 | Vis | Tornillo | 4 |
| 40 | Note B | Bolt, 5/16-18 x 1.5 | Boulon | Perno | 1 |
| 42 | 0058883 | Panel, wired complete | Tableau compl. câble | Panel, cabeado completo | 1 |
| 42B | 0049072 | Circuit breaker, 25 amp | Disjoncteur 25 A | Cortacircuitos, 25 amp | 2 |
| 47 | 0047796 | Spacer .38 ID | Entretoise | Espaciador | 1 |
| 51 | Note B | Bolt, 5/16-18 x 1.25 | Boulon | Perno | 2 |
| 55 | 0061129 | Gasket | Solénoïde, démarreur | Empaquetadura de silenciador | 1 |