

SERVICE PARTS LIST

MODEL

PART NUMBER

GEN PWRBASE 4KW LA

PL0544000

GEN PWRBASE 4KW

PM0544000

GEN PWRBASE 4KW

PM0544003

GEN PWRBASE 4KW ES

PM0544020

GEN PWRBASE 4KW LO LA

PL0544200

GEN PWRBASE 4KW LO

PM0544200

GEN PWRBASE 5KW LA

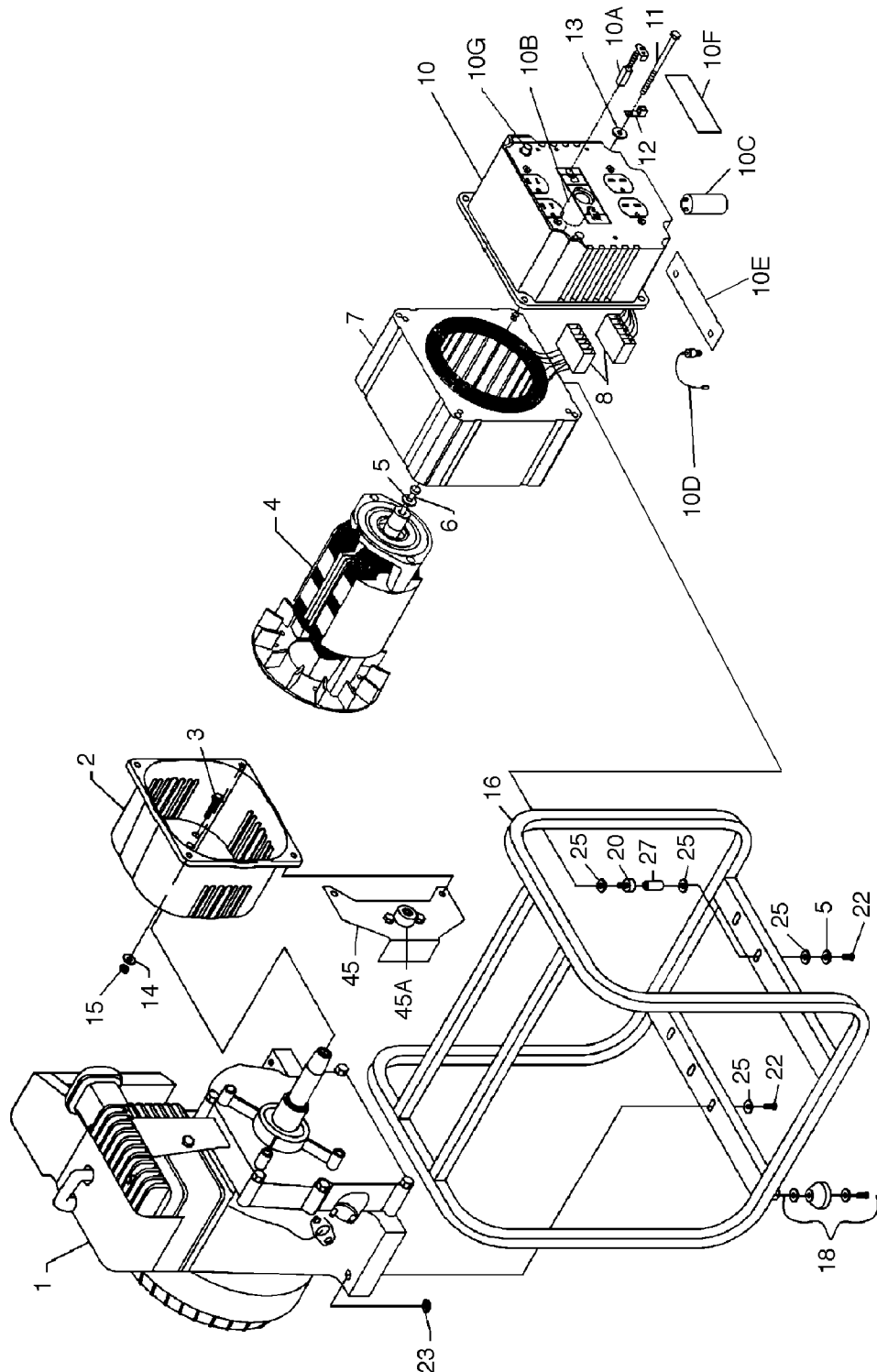
PL0545000

GEN PWRBASE 5KW

PM0545000

GEN PWRBASE 5KW

PM0545021



SERVICE PARTS LIST

MODEL

PART NUMBER

GEN PWRBASE 4KW LA

PL0544000

GEN PWRBASE 4KW

PM0544000

GEN PWRBASE 4KW

PM0544003

GEN PWRBASE 4KW ES

PM0544020

GEN PWRBASE 4KW LO LA

PL0544200

GEN PWRBASE 4KW LO

PM0544200

GEN PWRBASE 5KW LA

PL0545000

GEN PWRBASE 5KW

PM0545000

GEN PWRBASE 5KW

PM0545021

REF. NO.	PART NO.	DESCRIPTION	MODEL NUMBER							
			PL0544000	PM0544000	PM0544003	PM0544020	PL0544200	PM0544200	PL0545000	PM0545000
1	NOTE A	ENGINE, 8HP B/S STD	1	1						
1	NOTE A	ENGINE, 8HP B/S INDUSTRIAL			1					
1	NOTE A	ENGINE, 8HP B/S ES				1				
1	NOTE A	ENGINE, 8HP B/S LO					1	1		
1	NOTE A	ENGINE, 10 HP B/S STD							1	1
2	0050236.01	ADAPTER, ENGINE 4-7KW B/S PLN	1	1	1	1	1	1	1	1
4	0049679	ROTOR, 4KW B/S	1	1	1	1	1	1		
4	0049620	ROTOR, 5KW B/S							1	1
7	0050469	STATOR, 4KW 60HZ	1	1	1	1	1	1		
7	0050830	STATOR, 5KW 60HZ							1	1
8	0034801	CONNECTOR HSG. SET, ENDBELL	1	1	1	1	1	1	1	1
10	0049664.01	ENDBELL, WIRED COMPLETE LA	1				1		1	
10	0048838.01	ENDBELL, WIRED COMPLETE 4KW		1	1	1		1		
10	0048839.01	ENDBELL, WIRED COMPLETE 5KW								1
10A	0050439	BRUSH, E-4R	2	2	2	2	2	2	2	2
10B	0035188	BEARING, NEEDLE FTT-1212	1	1	1	1	1	1	1	1
10C	0034819.01	CAPACITOR, 130MF	1	1	1	1	1	1	1	1
10D	0034843.01	DIODE	2	2	2	2	2	2	2	2
10E	0038976	HEAT SINK FOR DIODE	1	1	1	1	1	1	1	1
10F	0038968	COVER, BRUSH	1	1	1	1	1	1	1	1
10G	0049070	CIRCUIT BREAKER, 15 AMP	1				1		1	
10G	0049459	CIRCUIT BREAKER, 18 AMP	1				1		1	
10G	0049071	CIRCUIT BREAKER, 20 AMP		2	2	2		2		
10G	0049072	CIRCUIT BREAKER, 25 AMP								2
10H	0051093	TOLERANCE RING	1	1	1	1	1	1	1	1
10I	0050397	RETAINING CLIPS	2	2	2	2	2	2	2	2
10J	0051080	SHIELD, ENDBELL	1	1	1	1	1	1	1	1
12	0008854	LUG, GROUND	1	1	1	1	1	1	1	1
16	0037986	CARRIER ASSEMBLY	1	1	1	1	1	1	1	1
18	0038596	RUBBER FOOT PACK	4	4	4	4	4	4	4	4
20	0035121	ISOLATOR, STATOR	1	1	1	1	1	1	1	1
27	0039024	SPACER, 1"	1	1	1	1	1	1	1	1
45	0049897	ASSY, ELECTRIC START				1				
45A	0030148	SWITCH, DR-450A				1				

NOTE A: COLEMAN POWERMATE WILL NOT PROVIDE ENGINES AS REPLACEMENT PARTS. ENGINES ARE COVERED THROUGH THE ENGINE MANUFACTURER'S WARRANTY.

START DATE: 11/1/97

REVISED:

