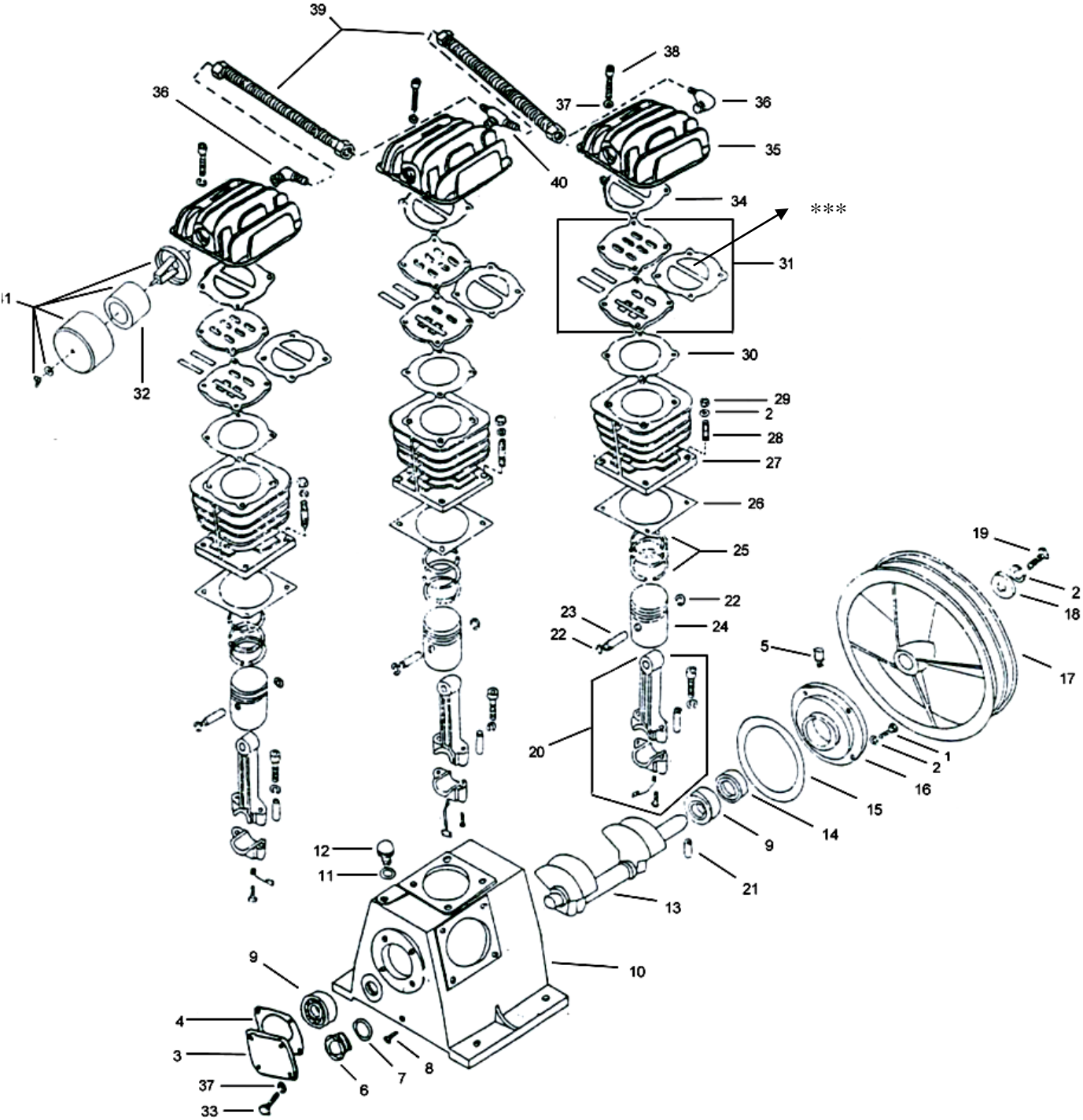


PUMP MODEL
DEP-3065-A

BREAKDOWN



PARTS LIST : PUMP MODEL DEP-3065A

ITEM	PART NO.	DESCRIPTION	QTY	ITEM	PART NO.	DESCRIPTION	QTY
1	059-0165	Capscrew, M8X20	4	26	046-0253	Gasket, Cylinder/Crankcase	3
2	060-0070	Lockwasher, 8MM	17	27	050-0025	3065 Cylinder	3
3	077-0090	3065 Rear Cover	1	28	059-0149	3065 Capscrew, Stud Hex M8X20	12
4	046-0250	3065 Gasket, Rear Cover	1	29	058-0085	Nut, M8	12
5	056-0019	3065 Breather Assy.	1	30	046-0254	Gasket, Cylinder/ Valve Plate	3
6	032-0032	3065 Oil Sight Glass	1	31	043-0097	Valve Plate Assy	3
7	046-0251	3065 Oil Sight Glass Gasket	1			Valve Plates	2
8	062-0003	3065 Oil Drain Plug, ¼ NPT	1			Valve	2
9	051-0100	3065 Bearing 205	2			Valve Seat Gasket	1
10	049-0026	3065 Crankcase	1	32	019-0025	3065 Filter Element, Replacement	3
11	060-0050	Washer	1	33	059-0151	Bolt, M6X20	4
12	062-0008	3065 Oil Fill Plug	1	34	046-0256	Gasket, Cylinder Head	3
13	053-0050	3065 Crankshaft	1	35	042-0054	Cylinder Head	3
14	046-0180	3065 Oil Seal, Shaft	1	36	090-1295	Elbow	2
15	046-0252	3065 Gasket Front Cover	1	37	060-0068	Lockwasher, M6	16
16	045-0040	3065 Front Cover	1	38	059-0148	Socket Head Screw, M6X40	12
17	044-0025	3065 Flywheel	1	39	082-0015	3065 Aftercooler, Finned	2
18	060-0060	3065 Washer, Flywheel	1	40	090-3807	Tee Connector	1
19	059-0152	Capscrew, M8X35	1	41	019-0096	Air Filter Assy. W/ Element	3
20	047-0050	3065 Connecting Rod Assy.	3	***	046-0249	Gasket valve plate metal	3
		Cross Bolt, M4X10	1				
		Angled Oil Dipper	1				
		Straight Oil Dipper	1				
		Con Rod, Lower Body	1				
		Con Rod, Upper Body	1				
		Bolt, Con Rod Assy.	2				
		Pin, Con Rod Assy.	2				
		Lockwasher, 8MM	2				
21	059-0150	Pin, A5X22	1				
22	054-0118	Snap Ring	6				
23	052-0026	3065 Wrist Pin	3				
24	048-0053	3065 Piston	3				
25	054-0125	3065 Ring Set	3				
		Oil Ring	1				
		Compression Ring	2				