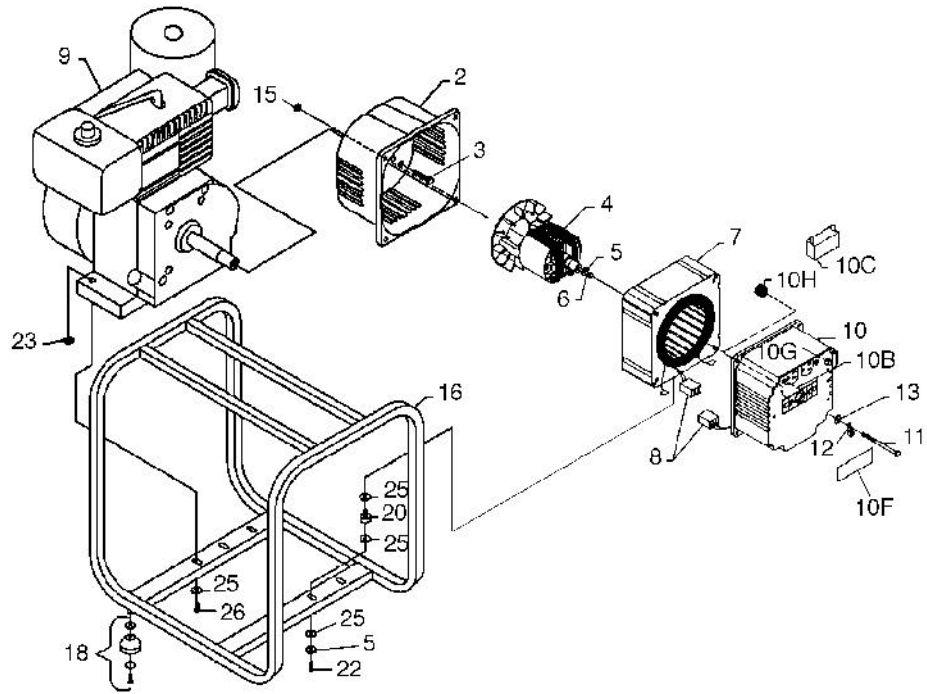
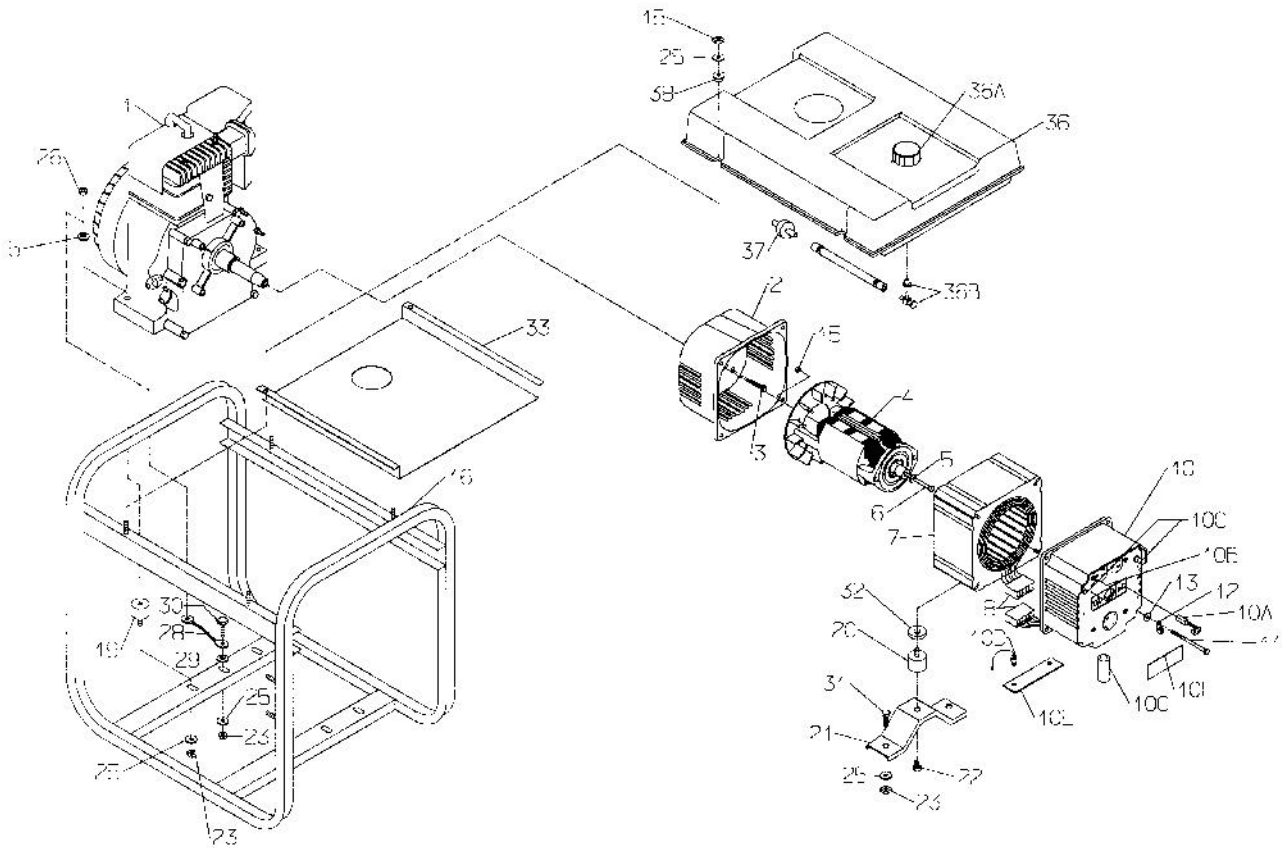


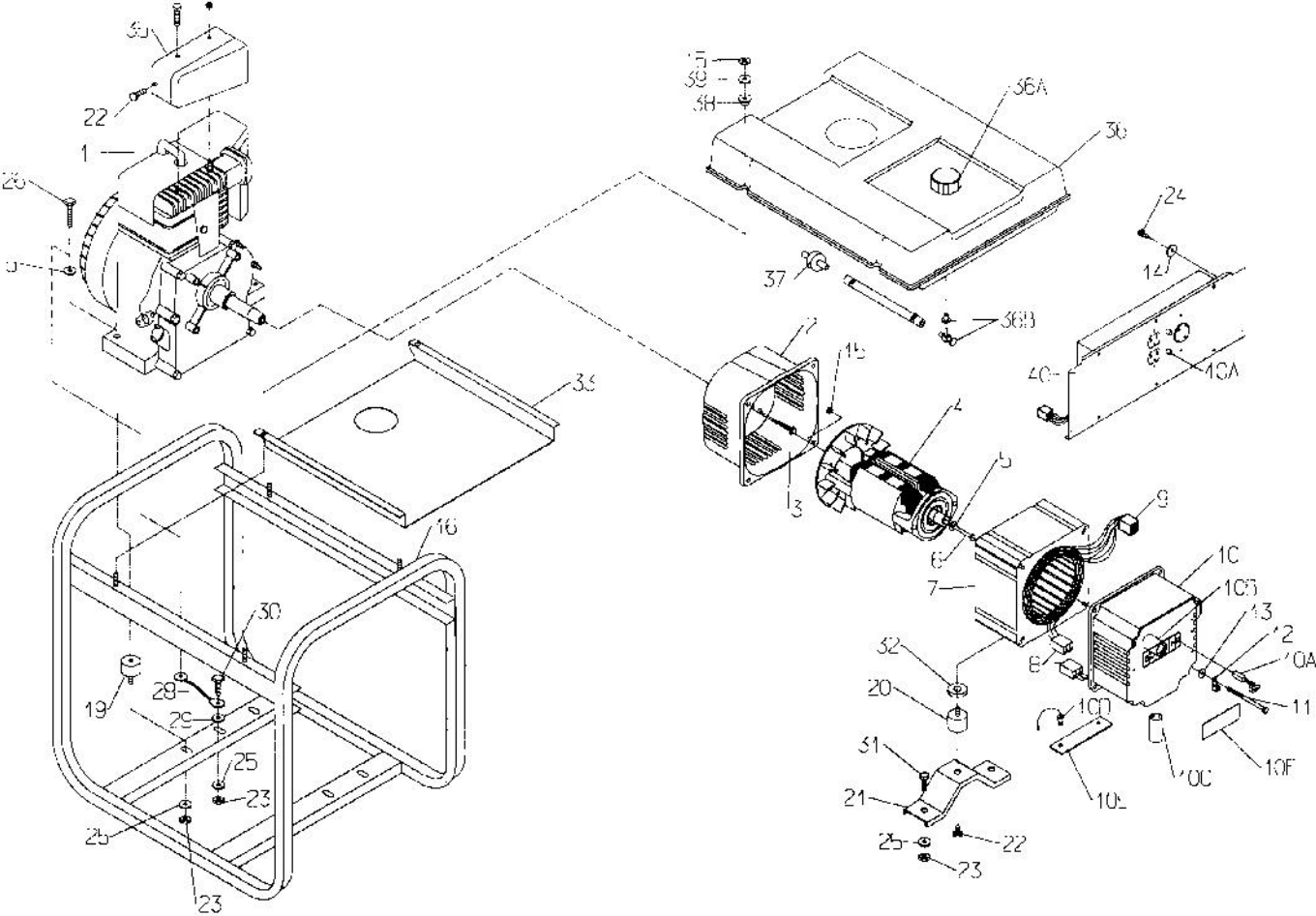
PM0542200.01



PM0544202.02; PM0545212.02; PC0544202.01; PC0545202.01



PM0545305.03; PM0545305.17; PL0545305.03; PC0545305.02.



## PARTS LIST

REF NO	PART NO	DESCRIPTION	PC0545202.01	PM0542200.01	PM0544202.02	PM0545212.02	PM0545305.03	PM0545305.17	FL0545305.03	PC0544202.01	PC0545305.02
1	Note A	Engine, 5 HP	1								
1	Note A	Engine, 8 HP			1					1	
1	Note A	Engine, 10 HP	1			1	1	1	1		1
2	0050448.01	Adapter, Engine		1							
2	0050236.01	Adapter, Engine	1		1	1	1	1	1	1	1
3	0000901.01	Bolt, Wz 5/16-24 x 5/8		4							
3	0000919.01	Bolt, Wz 3/8-16 x 3/4	4		4	4	4	4	4	4	4
4	0051249	Rotor, 2 KW B/S		1							
4	0049679	Rotor, 4 KW B&S			1					1	
4	0049620	Rotor, 5 KW B&S	1			1	1	1	1		1
5	Note B	Washer, Lock 5/16	3	2	3	3	4	4	4	3	4
6	0035030	Bolt, Hex 5/16-24 x 6		1							
6	0041483	Bolt, Hex 5/16-24 x 5 3/4			1					1	
6	0035055	Bolt, Hex 5/16-24 x 6 5/8	1			1	1	1	1		1
7	0051250	Stator, 2 KW, 60 Hz		1							
7	0049790	Stator, 4 KW			1					1	
7	0049795	Stator, 5 KW, 60 Hz	1			1					
7	0055875	Stator, 5 KW, 60 Hz, CSA									1
7	0055315	Stator, 5 KW, 60 Hz					1	1			
8	0034801	Connector Hsg. Set, Endbell			1	1				1	
8	0049835	Connector Hsg. Set, Endbell	1	1			1	1	1		1
9	0049200	Connector Hsg. Set, Panel					1	1			1
10	0051252.01	Endbell, Wired Complete		1							
10	0056658	Endbell, Wired Complete			1						
10	0056663	Endbell, Wired Complete CSA	1							1	
10	0048872.01	Endbell, Wired Complete					1	1			
10	0056654	Endbell, Wired Complete				1					
10	0049327.02	Endbell, Wired Complete CSA									1
10A	0050439	Brush, E-4R	2		2	2	2	2	2	2	2
10B	0035188	Bearing, Needle FTT-1212	1	1	1	1	1	1	1	1	1
10C	0051251	Capacitor, 12mfd		1							
10C	0034819.01	Capacitor			1	1	1	1	1	1	1
10D	0006296	Diode Assembly			2	2				2	
10D	0006006	Diode Assembly	2				2	2			2
10E	0038976	Heat Sink, Diode	1		1	1	1	1	1	1	1
10F	0038968	Cover, Brush	1	1	1	1	1	1	1	1	1
10G	0049070	CB 15 Amp								4	
10G	0049071	CB 20 Amp		1	2						
10G	0049072	CB 25 Amp				2					
11	0047090	Bolt, Hex Hd 1/4-20 x 3 3/4		4							
11	0034561	Bolt, Hex Hd 1/4-20 x 5			4					4	
11	0040816	Bolt, Hex Hd 1/4-20 x 6	4			4	4	4	4		4
12	0008854	Lug, Ground	1	1	1	1	1	1	1	1	1
13	Note B	Washer, Flat 1/4	4	4	4	4	4	4	4	4	4
14	Note B	Washer, Star External 1/4							1		1
15	0040832	Nut, Nyloc 1/4-20	9	4	8	8	8	8	8	8	9
16	0037952	Carrier, Assy		1							
16	0056035	Carrier, Assy	1		1	1	1	1	1	1	1
18	0038596	Rubber Feet		4							
19	0051094	Isolator, Engine	2		2	2	2	2	2	2	2
20	0035121	Isolator, Stator		1							
20	0051094	Isolator, Stator	1		1	1	1	1	1	1	1
21	0056039	Bracket, Stator	1		1	1	1	1	1	1	1

REF NO	PART NO	DESCRIPTION	PC0545202.01	PM0542200.01	PM0544202.02	PM0545212.02	PM0545305.03 PM0545305.17	PL0545305.03	PC0544202.01	PC0545305.02
22	Note B	Bolt, 5/16-18 x 5/8		1						
22	0049279	Bolt, Wz 5/16-18 x 1/2	1		3	3	4	4	3	4
23	0048736	Nut, Nyloc 5/16-18	5	2	5	5	7	7	5	5
24	0053320	Screw, Self Drilling #10-16 x 1/2					4	4		4
25	Note B	Washer, Flat 5/16	7	4	9	9	13	13	9	9
26	Note B	Bolt, 5/16-18 x 1 1/2	2		2	2	2	2	2	2
28	0049224	Assy, Ground Wire	1		1	1	1	1	1	1
29	Note B	Washer, Star Extenal 5/16	3		2	2	2	2	2	2
30	Note B	Bolt, Hex 5/16-18 x 3/4	1		1	1	1	1	1	1
31	0037887	Bolt, Wz 5/16-18 x 1	2		2	2	2	2	2	2
32	0055620.01	Washer, .42 x 1.5 x .313	1		1	1	1	1	1	1
33	0049453.02	Shield, Heat	1		1	1	1	1	1	1
35	0051532	Assy, Deflector					1	1		1
36	Note C	Tank, Assembly Complete	1		1	1	1	1	1	1
36A	0055340	Cap, Fuel	1		1	1	1	1	1	1
36B	0049114	Fuel Valve w/Bushing	1		1	1	1	1	1	1
37	0047790	Fuel Filter	1		1	1	1	1	1	1
38	0048243	Bushing, Step	4		4	4	4	4	4	4
40	0055708.02	Panel, Wired Complete					1			
40	0055821.02	Panel, Wired Complete						1		
40	0055820.02	Panel, Wired Complete								1
40A	0049072	CB, 25 Amp					2			
40A	0051763	CB, 20 Amp, CSA 250V	2							2
40A	0049070	CB, 15 Amp								2
40A	0049459	CB, 18 Amp						1		
60	0052627	AVR	1							1