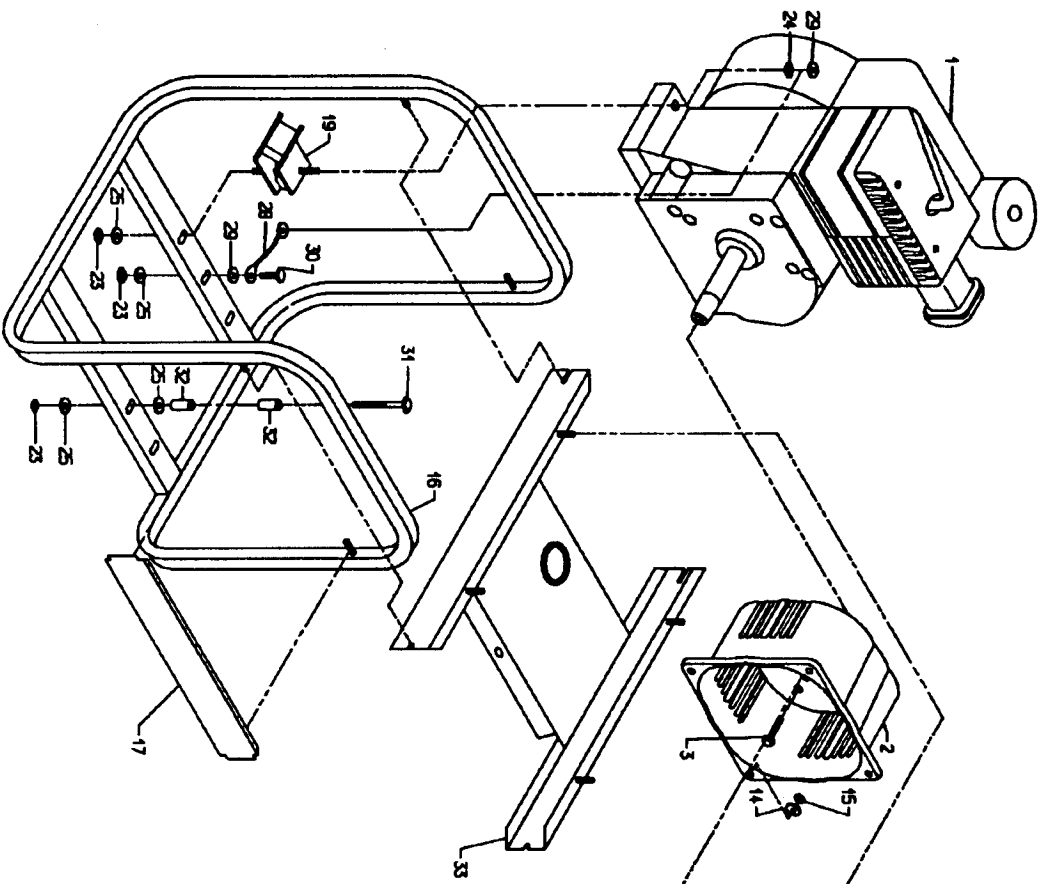
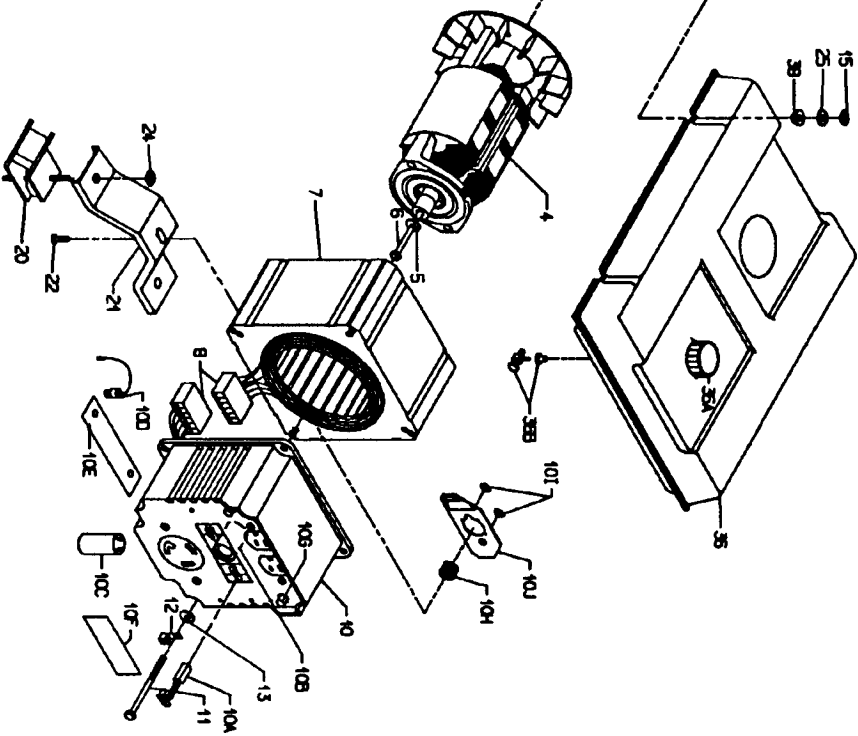


**CONTRACTOR SERIES
4200 & 5000 watt
models**



-15-



-16-

TRACTOR SERIES PARTS LIST

REF. NO.	PART NO.	DESCRIPTION	0523008	0544208	0545208
1	Note A	Engine, 6 HP, Tecumseh, H 60	1		
1	Note A	Engine, 8 HP L.O. std, B & S		1	
1	Note A	Engine, 10 HP L.O. std, B & S			1
2	0050748	Adapter, Engine 2.6 Kw, Tecumseh	1		
2	0051695	Adapter, Engine 4-5 Kw		1	1
3	0000901.01	Bolt, Wz 5/16-24x5/8	4		
3	0000919.01	Bolt, Wz 3/8-16x3/4		4	4
4	0049617	Rotor, 2 Kw B/S RFS	1		
4	0049679	Rotor, 4 Kw B/S RFS		1	
4	0049620	Rotor, 5 Kw B/S RFS			1
5	Note B	Washer, Lock 5/16	3	1	1
6	0035030	Bolt, Hex 5/16-24x6-1/4 Grade 5	1		
6	0041483	Bolt, Hex 5/16-24x5-5/8		1	
6	0035055	Bolt, Hex 5/16-24x6-5/8			1
7	0050749	Stator, 2.6 Kw, 60 Hz, 1 PH	1		
7	0050728	Stator, 4 Kw 60 Hz, 1 PH ER		1	
7	0050725	Stator, 5 Kw 60 Hz, 1 PH ER			1
8	0034801	Connector Hsg. Set, Endbell	1		
8	0048640	Connector Hsg. Set, Endbell		1	1
10	0050751	Endbell, Wired Complete 52-3	1		
10	0050745.01	Endbell, Wired Complete		1	
10	0050721.01	Endbell, Wired Complete			1
10A	0050439	Brush, E-4R	2	2	2
10B	0035188	Bearing, Needle FTT-1212	1	1	1
10C	0034819.01	Capacitor	1	1	1
10D	0034843	Diode	2	2	2
10E	0038976	Heat Sink, Diode	1	1	1
10F	0050718	Cover, Brush, Yellow	1	1	1
10G	0049071	Circuit Breaker, 20 Amp	2	2	
10G	0049072	Circuit Breaker, 25 Amp			2
10H	0051093	Tolerance Ring	1	1	1
10I	0059397	Retaining Clips	2	2	2
10J	0051080	Shield, Endbell	1	1	1
11	0040790	Bolt, Hex Hd 1/4-20x3-3/4	4		
11	0044561	Bolt, Hex Hd 1/4-20		4	
11	0040816	Bolt, Hex Hd 1/4-20x6			4
12	0008854	Lug, Ground	1	1	1
13	Note B	Washer, Flat 1/4	4	8	8
14	Note B	Washer, Star External 1/4	1	1	1
15	0040832	Nut, Nyloc 1/4-20	4	12	12
16	0050752	Carrier, Assy 52-3	1		
16	0051697	Carrier, Assy		1	1

TRACTOR SERIES PARTS LIST (Cont.)

REF. NO.	PART NO.	DESCRIPTION	0523008	0544208	0545208
17	0050754	Panel, End		1	1
19	0051094	Isolator, Engine	2		
19	0048831.01	Isolator, Engine		2	2
20	0049743	Isolator, Stator	1		
20	0048832.01	Isolator, Stator		2	2
21	0049693	Bracket, Stator	1	1	1
22	Note B	Bolt, 5/16-18x1/2	1	1	1
23	0048736	Nut, Nyloc 5/16-18	4	2	2
24	0080101	Nut, Nyloc 5/16-24		6	6
25	Note B	Washer, Flat 5/16	4	7	7
27	0047796	Spacer, 3/4	1		
28	0049224	Assy, Ground Wire Braided	1	1	1
29	Note B	Washer, Star External 5/16	2	2	2
30	Note B	Bolt, Hex 5/16-18x3/4	3	1	1
31	Note B	Bolt, 5/16-18x2-1/4	1	1	1
32	0047796	Spacer 3/4		2	2
33	0051505	Shield, Heat, Contractor	1	1	1
36	0050122	Tank Assy, Complete	1	1	1
36A	0050322	Cap, Fuel	1	1	1
36B	0049114	Fuel Valve with Bushing	1	1	1
38	0048243	Bushing, Step	4	4	4

Note A: Coleman Powermate will not provide engines as replacement parts. Engines are covered through the engine manufacturer's warranty. Consult the accompanying engine manual or contact our service department for assistance.

Note B: These are standard parts available at your local hardware store.

See page 17 for parts list modifications on City of Los Angeles models PL0544208 and PL0545208.



WARNING

WARNING: To avoid possible personal injury or equipment damage, a registered electrician or an authorized service representative should perform installation and all service. Under no circumstances should an unqualified person attempt to wire into an utility circuit.