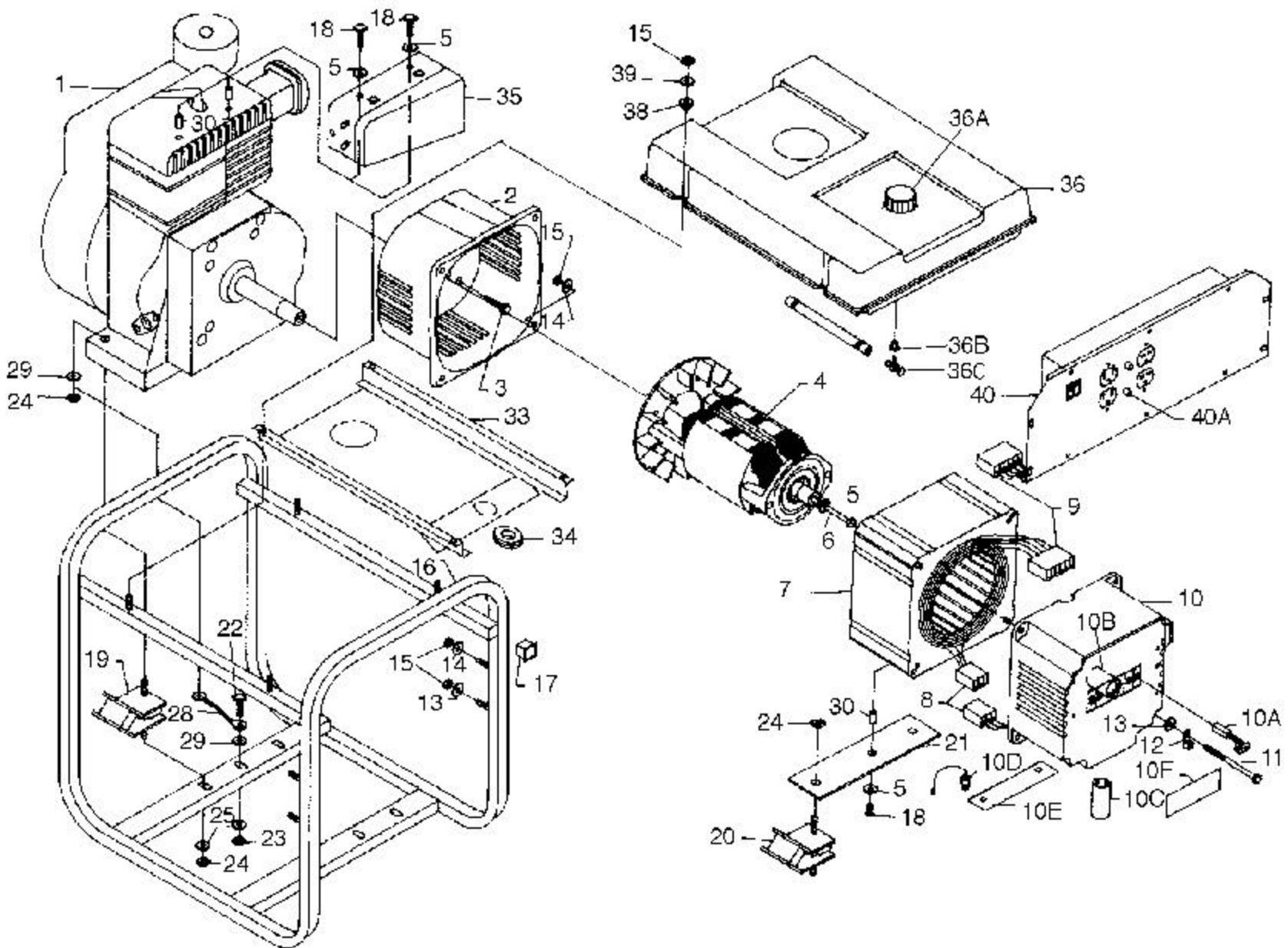


SERVICE PARTS LIST



MODEL
 GEN MAXA 4KW ER
 GEN MAXA ER 4KW
 GEN MAXA ER 5KW LA
 GEN MAXA ER 5KW

PART NUMBER
 PM0524202
 PM0524702
 PL0525202
 PM0525202

SERVICE PARTS LIST

MODEL
GEN MAXA 4KW ER
GEN MAXA ER 4KW
GEN MAXA 5KW ER
GEN MAXA ER 5KW

PART NUMBER
PM0524202
PM0524702
PL0525202
PM0525202

REF. NO.	PART NO.	DESCRIPTION	MODEL NUMBER			
			PM0524202	PM0524702	PL0525202	PM0525202
1	NOTE A	ENGINE, 8HP LO STD	1	1		
1	NOTE A	ENGINE, 10 HP LO STD			1	1
2	0054052	ADAPTER, ENGINE 4-5KW TEC	1	1	1	1
4	0050584	ROTOR, 4.6KW TEC RF5	1	1		
4	0049621	ROTOR, 5KW TEC RF5			1	1
7	0054067	STATOR, 4.6KW 60HZ	1	1		
7	0050830	STATOR, 5KW 60HZ			1	1
8	0048640	CONNECTOR HSG. SET, ENDBELL	1	1	1	1
10	0050732.01	ENDBELL, WIRED COMPLETE 52-4	1			
10	0051244.01	ENDBELL, WIRED COMPLETE 52-4		1		
10	0050600.01	ENDBELL, WIRED COMPLETE 52-5 LA			1	
10	0050417.01	ENDBELL, WIRED COMPLETE 52-5				1
10A	0050439	BRUSH, E-4R	2	2	2	2
10B	Note C	BEARING, NEEDLE FTT-1212	1	1	1	1
10C	0034819.01	CAPACITOR, 130MF	1	1	1	1
10D	0034843.01	DIODE	2	2	2	2
10E	0038976	HEAT SINK FOR DIODE	1	1	1	1
10F	0050323	COVER, BRUSH	1	1	1	1
10G	0049071	CIRCUIT BREAKER, 20 AMP	2	2		
10G	0049070	CIRCUIT BREAKER, 15 AMP			1	
10G	0049459	CIRCUIT BREAKER, 18 AMP			1	
10G	0049072	CIRCUIT BREAKER, 25 AMP				2
10H	0051093	TOLERANCE RING	1	1	1	1
10I	0050397	RETAINING CLIPS	2	2	2	2
10J	0051080	SHIELD, ENDBELL	1	1	1	1
12	0008854	LUG, GROUND	1	1	1	1
16	0050416.01	CARRIER, ASSY	1	1	1	1
17	0048837	CAP. PLASTIC	4	4	4	4
19	0055526	ISOLATOR, ENGINE 45 DEG	2	2	2	2
20	0055525	ISOLATOR, STATOR 45 DEG	2	2	2	2
21	0049693	BRACKET, STATOR	1	1	1	1
28	0049224	ASSY, GROUND WIRE BRAIDED	1	1	1	1
30	0048586	SPACER, 7/4"	2			
32	0047796	SPACER, 3/4"	1	1	1	1
33	0049453.02	SHIELD, HEAT	1	1	1	1
34	0050002	GROMMET	1	1	1	1
35	0050276.01	ASSY, DEFLECTOR	1			
36	0050273	TANK ASSY, COMPLETE	1	1	1	1
36A	0050322	CAP, FUEL	1	1	1	1
36B	0049113	BUSHING, FUEL	1	1	1	1
36C	0049114	VALVE, FUEL	1	1	1	1
38	0048243	BUSHING, STEP	4	4	4	4

NOTE A: COLEMAN POWERMATE WILL NOT PROVIDE ENGINES AS REPLACEMENT PARTS. ENGINE ARE COVERED THROUGH THE ENGINE MANUFACTURER'S WARRANTY.

START DATE: 11/1/97

REVISED: