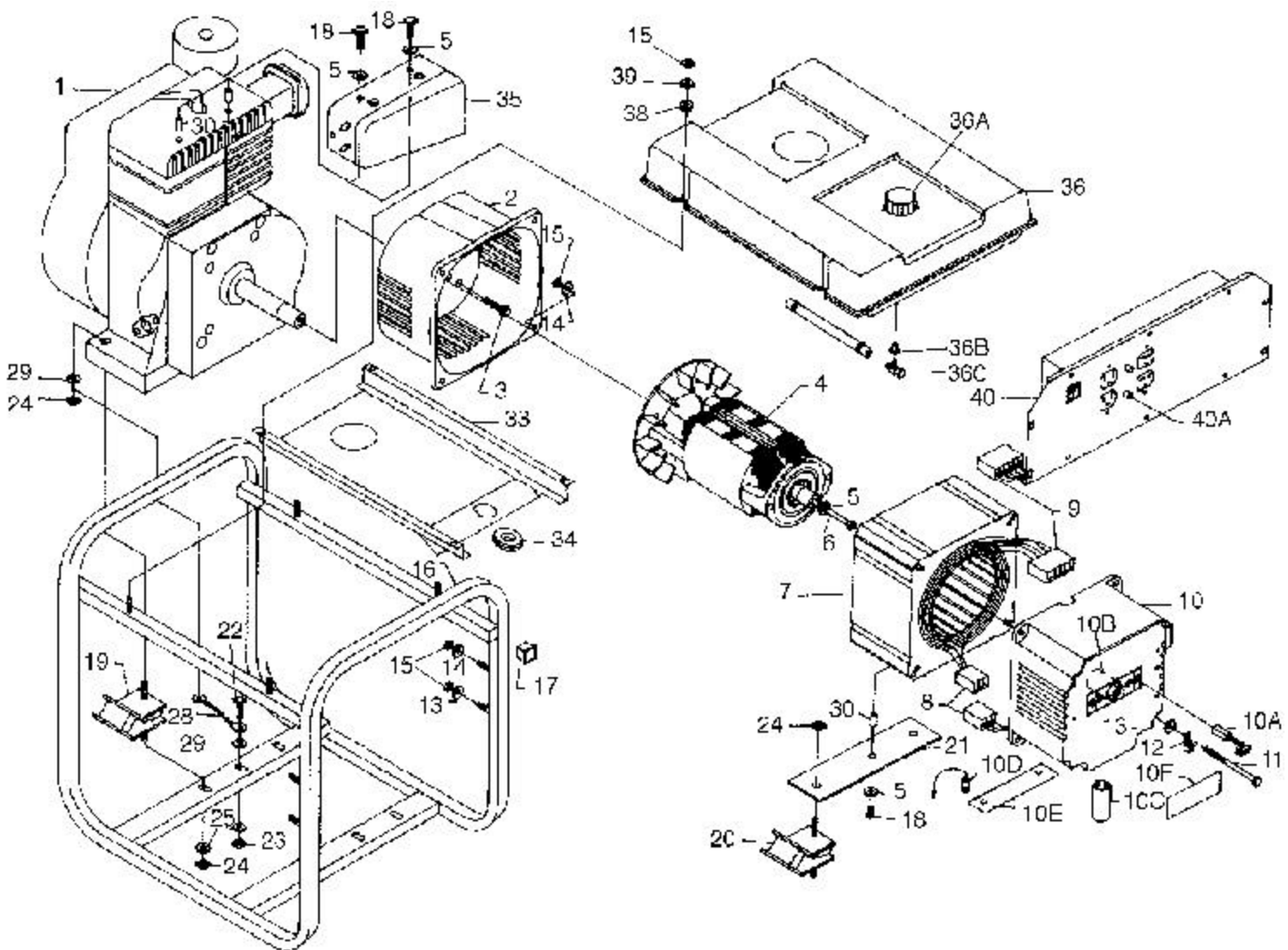


SERVICE PARTS LIST

MODEL
 GEN MAXA ER+ 4KW LA
 GEN MAXA ER+ 4KW
 GEN MAXA ER+ 4KW LA
 GEN MAXA ER+ 4KW
 GEN MAXA ER 5KW

PART NUMBER
 PL0524302
 PM0524302
 PL0524604
 PM0524604
 PM0525302.01



SERVICE PARTS LIST

MODEL
GEN MAXA 4KW ER+
GEN MAXA 4KW ER+
GEN MAXA 4KW ER+
GEN MAXA 5KW ER+

PART NUMBER
PL0524302
PM0524302
PM0524604
PM0525302.01

REF. NO.	PART NO.	DESCRIPTION	MODEL NUMBER				
			PL0524302	PM0524302	PL0524604	PM0524604	PM0525302
1	NOTE A	ENGINE, 8 HP LO STD	1	1			
1	NOTE A	ENGINE, 9 HP LO STD			1	1	
1	NOTE A	ENGINE, 10 HP LO STD					1
2	0050266	ADAPTER, ENGINE 4-5KW	1	1			1
2	0054052	ADAPTER, ENGINE 4-5KW			1	1	
4	0049619	ROTOR, 4KW TEC RF5	1	1			
4	0050584	ROTOR, 4.6KW TEC RF5			1	1	
4	0049621	ROTOR, 5KW TEC RF5					1
7	0055507	STATOR, 4KW 60HZ	1	1			
7	0055508	STATOR, 4.6KW 60HZ			1	1	
7	0055510	STATOR, 5KW 60HZ					1
8	0048640	CONNECTOR HSG. SET, E/B	1	1	1	1	1
9	0034801	CONNECTOR HSG. SET, PANEL	1	1	1	1	1
10	0050265.01	ENDBELL, WIRED COMPLETE RED	1	1			1
10	0048872.01	ENDBELL, WIRED COMPLETE GREEN			1	1	
10A	0050439	BRUSH, E-4R	2	2	2	2	2
10B	0035188	BEARING, NEEDLE FTT-1212	1	1	1	1	1
10C	0034819.01	CAPACITOR, 130MF	1	1	1	1	1
10D	0034843.01	DIODE	2	2	2	2	2
10E	0038976	HEAT SINK FOR DIODE	1	1	1	1	1
10F	0050323	COVER, BRUSH RED	1	1			1
10F	0038968	COVER, BRUSH GREEN			1	1	
10H	0051093	TOLERANCE RING	1	1	1	1	1
10I	0050397	RETAINING CLIPS	2	2	2	2	2
10J	0051555	SHIELD, ENDBELL	1	1	1	1	1
12	0008854	LUG, GROUND	1	1	1	1	1
16	0050205.01	CARRIER, ASSEMBLY, 4-5KW	1	1	1	1	1
17	0048837	CAP, PLASTIC	4	4	4	4	4
19	0055526	ISOLATOR, ENGINE			2	2	
19	0055524	ISOLATOR, ENGINE	2	2			2
20	0055525	ISOLATOR, STATOR	2	2	2	2	2
21	0049693	BRACKET, STATOR	1	1			1
21	0050134	BRACKET, STATOR			1	1	
28	0049224	ASSY, GROUND WIRE BRAIDED	1	1	1	1	1
30	0048586	SPACER, 7/16"	3	3	2	2	3
32	0047796	SPACER, 3/4"			1	1	
33	0049453.02	SHIELD, HEAT	1	1	1	1	1
34	0050002	GROMMET	1	1	1	1	1
35	0050276.01	ASSY DEFLECTOR	1	1	1	1	1
36	0050273	TANK ASSY, COMPLETE	1	1	1	1	1
36A	0050322	CAP, FUEL	1	1	1	1	1
36B	0049113	BUSHING, FUEL	1	1	1	1	1
36C	0049114	VALVE, FUEL	1	1	1	1	1
38	0048243	BUSHING, STEP	4	4	4	4	4
40	0050569	PANEL, WIRED COMPLETE 4KW LA	1				
40	0050257.01	PANEL, WIRED COMPLETE 4KW		1			
40	0050585.01	PANEL, WIRED COMPLETE 4.6KW LA			1		
40	0050612.02	PANEL, WIRED COMPLETE 4.6KW				1	
40	0050258.01	PANEL, WIRED COMPLETE 5KW					1
40A	0049459	CIRCUIT BREAKER, 18 AMP	1		1		
40A	0049071	CIRCUIT BREAKER, 20 AMP		2		2	
40A	0049072	CIRCUIT BREAKER, 25 AMP					2

NOTE A: COLEMAN POWERMATE WILL NOT PROVIDE ENGINES AS REPLACEMENT PARTS.
 ENGINES ARE COVERED THROUGH THE ENGINES MANUFACTURER'S WARRANTY.

START DATE: 11/1/97

REVISED: