

PORTABILITY KIT INSTALLATION

TOOLS REQUIRED: 7/16", 1/2" and 9/16" sockets and ratchets, block(s) of wood (minimum of 6" tall).

Refer to the parts list on page 9.

WHEEL INSTALLATION

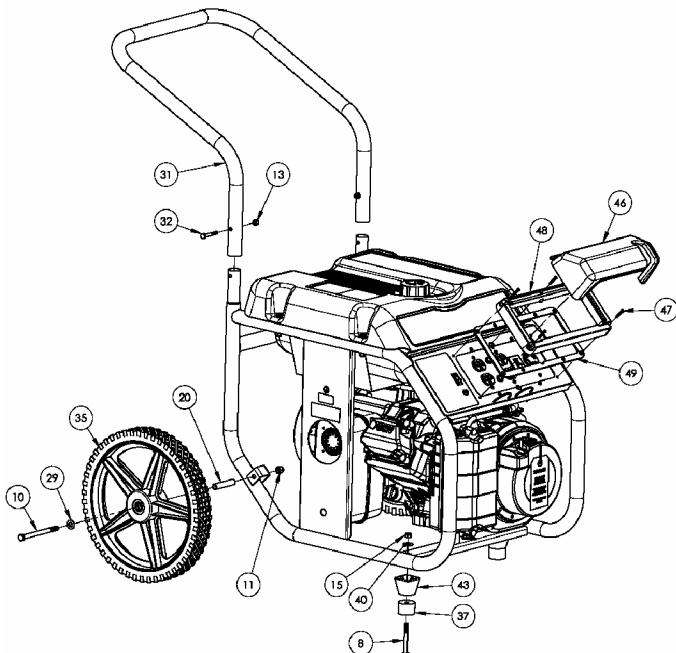
1. Block up end of generator opposite the fuel tank cap to install wheel kit.
2. Insert wheel spacer (**item 20**) into the center of the wheel (**item 35**).
3. Slide 3/8 x 4.75" bolt (**item 10**) through the 3/8 washer (**item 29**) and wheel (**item 35**), then through the wheel bracket on the carrier, with the offset side of the wheel hub against the wheel bracket.
4. Thread 3/8 nyloc nut (**item 11**) onto the bolt and tighten to securely clamp the wheel assembly to the tubing.
5. Repeat above instructions for the remaining wheel.

FOOT INSTALLATION

1. Blocking up the engine side of the generator, place a spacer (**item 43**) and a foot (**item 37**) under the carrier channel. Thread a 5/16-18 x 2.75" bolt (**item 8**) through the mounting holes and thread a 5/16 washer (**item 40**) and a 5/16 nyloc nut (**item 15**) to the bolt to secure the foot to the carrier. **Caution: Do not over tighten so that the foot material collapses.**
2. Repeat step 1 for the remaining foot.

HANDLE INSTALLATION

1. Place the handle (**item 31**) onto the reduced portion of the upright tubes of the base as shown in the diagram.
2. Install the 1/4-20 x 1.75" bolts (**item 32**) through the tubes from the outside.
3. Thread the 1/4" nyloc nuts (**item 13**) onto the bolts and tighten. **NOTE: Do not over tighten.**



LIMITED WARRANTY

Warranty Coverage: Powermate Corporation (the Company) warrants to the original retail customer in North America that it will repair or replace, free of charge, any parts found by the Company or its authorized service representative to be defective in material or workmanship. This warranty covers the cost of replacement parts and labor for defects in material or workmanship.

Not Covered:

- Transportation charges for sending the product to the Company or its authorized service representative for warranty service, or for shipping repaired or replacement products back to the customer; these charges must be borne by the customer.
- If a separate operator's manual and engine warranty from the engine manufacturer is included with this product, only that warranty will apply to the engine.
- Damages caused by abuse or accident, and the effects of corrosion, erosion and normal wear and tear.
- Warranty is voided if the customer fails to install, maintain and operate the product in accordance with the instructions and recommendations of the Company set forth in the owner's manual, or if the product is used as rental equipment.
- The Company will not pay for repairs or adjustments to the product, or for any costs or labor, performed without the Company's prior authorization.

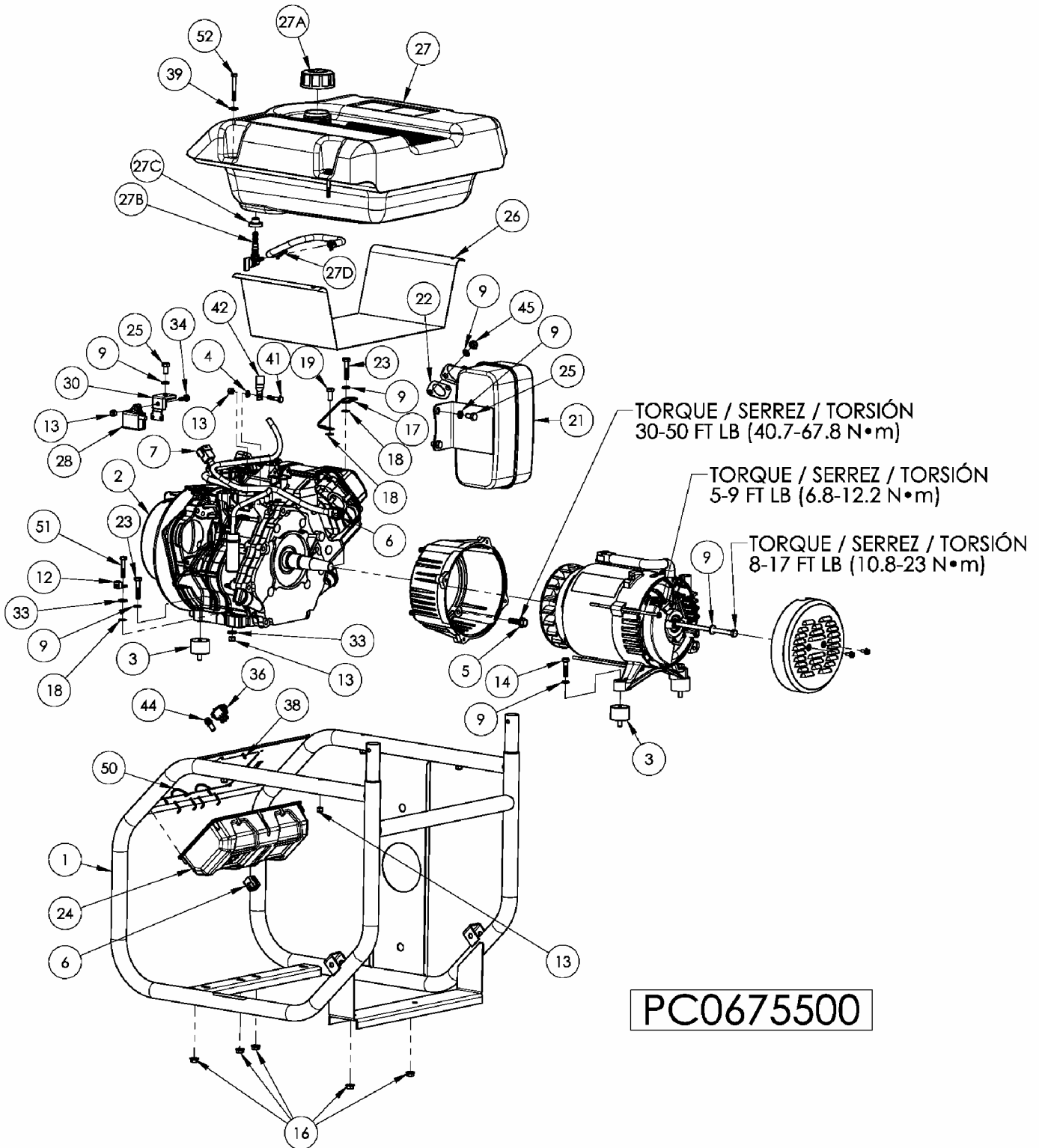
Warranty Period: Two (2) years from the date of purchase on products used solely for consumer applications; if a product is used for business or commercial applications, the warranty period will be limited to one (1) year from the date of purchase. For warranty service, the customer must provide dated proof of purchase and must notify the Company within the warranty period.

For warranty service: Call toll free 800-445-1805, or write to Powermate Corporation, Product Services, 4970 Airport Road, P. O. Box 6001, Kearney, NE 68848.

EXCLUSIONS AND LIMITATIONS: THE COMPANY MAKES NO OTHER WARRANTY OF ANY KIND, EXPRESS OR IMPLIED. IMPLIED WARRANTIES, INCLUDING WARRANTIES OF MERCHANTABILITY AND OF FITNESS FOR A PARTICULAR PURPOSE, ARE HEREBY DISCLAIMED. THE WARRANTY SERVICE DESCRIBED ABOVE IS THE EXCLUSIVE REMEDY UNDER THIS WARRANTY; LIABILITY FOR INCIDENTAL AND CONSEQUENTIAL DAMAGES IS EXCLUDED TO THE EXTENT PERMITTED BY LAW.

This warranty gives you specific legal rights, and you may also have other rights which vary from state to state. Some states do not allow a disclaimer of implied warranties, or the exclusion or limitation of incidental and consequential damages, so the above disclaimers and exclusions may not apply to you.

PARTS DRAWING / SCHEMA DES PIÈCES / DIAGRAMA DE PIEZAS



PC0675500

PARTS LIST / LISTE DES PIÈCES / LISTA DE PIEZAS

| REF. NO. | PART NO. | DESCRIPTION | DESCRIPTION | DESCRIPCIÓN | QTY |
|----------|------------|-------------------------------|---------------------------------|---|-----|
| 1 | 0065251 | Carrier, assembly | Ensemble transport | Transportador, conjunto | 1 |
| 2 | Note A | Engine 10 hp Yamaha OHV | Moteur | Motor | 1 |
| 3 | 0051094 | Isolator | Sectionneur | Aislador | 4 |
| 4 | Note B | Washer, star external 1/4 | Rondelle à dents externa 1/4 | Arandela, estrella 1/4 | 1 |
| 5 | 0057512 | Bolt whz 3/8-16 x 1.25 | Boulon | Perno | 4 |
| 6 | 0062196 | Connector, panel | Connecteur, tableau | Conector, panel | 2 |
| 7 | 0056716 | Connector, stator | Connecteur, stator | Conector, estator | 1 |
| 8 | Note B | Bolt, hex 5/16-18 x 2.75 | Boulon | Perno | 2 |
| 9 | Note B | Washer, lock 5/16 | Contre-écrou 5/16 | Arandela, de cierre 5/16 | 10 |
| 10 | Note B | Bolt, 3/8-16 x 4.75 | Boulon | Perno | 2 |
| 11 | 0057578 | Nut, nyloc 3/8-16 | Écrous nyloc 3/8-16 | Tuerca, nyloc 3/8-16 | 2 |
| 12 | 0008854 | Lug, ground | Oeillet de mise à la terre | Terminal, tierra | 1 |
| 13 | 0040832 | Nut, nyloc 1/4-20 | Écrous nyloc 1/4-20 | Tuerca, nyloc 1/4-20 | 9 |
| 14 | Note B | Bolt, 5/16-18 x 1.25 | Boulon | Perno | 2 |
| 15 | 0048736 | Nut, nyloc 5/16-18 | Écrous nyloc 5/16-18 | Tuerca, nyloc 5/16-18 | 2 |
| 16 | 0057254 | Nut, hex flg 5/16-18 | Écrous 5/16-18 | Tuerca, 5/16-18 | 5 |
| 17 | 0049224 | Assembly, ground wire | Ensemble fil de mise à la terre | Conjunto, câble de tierra | 1 |
| 18 | Note B | Washer, star external 5/16 | Rondelle à dents externa 5/16 | Arandela, estrella 5/16 | 3 |
| 19 | Note B | Bolt, hex 5/16-18 x .75 | Boulon, tête hex 5/16-18 x 3/4 | Perno 5/16-18 x 3/4 | 1 |
| 20 | 0065274 | Spacer .38 ID | Entretoise | Espaciador | 2 |
| 21 | 0065185 | Muffler | Silencieux | Silenciador | 1 |
| 22 | 0063701 | Gasket | Joint | Empaquetadura | 1 |
| 23 | Note B | Bolt, 5/16-18 x 1.50 | Boulon | Perno | 2 |
| 24 | 0065844 | Panel, wired | Tableau compl. câblé | Panel, cabeado completo | 1 |
| 24A | 0049071 | Circuit Protector 20 amp | Protecteur de circuit 20 amp | Protector de circuito 20 amp | 2 |
| 24B | 0062199 | Circuit Protector 25 amp dual | Protecteur de circuit 25 amp | Protector de circuito 25 amp | 1 |
| 25 | 0049268 | Bolt M8 x 16mm | Boulon M8 x 16mm | Perno M8 x 16mm | 3 |
| 26 | 0065278 | Shield, heat | Écran de chaleur | Pantalla para el calor | 1 |
| 27 | Note C | Fuel tank assembly | Assemb. complet du réservoir | Conjunto tanque | 1 |
| 27A | 0064057 | Fuel Cap | Capuchon | Tapa de combustible | 1 |
| 27B | 0061756 | Fuel shut off with filter | Robinet de carburant | Válvula combustible con filtro | 1 |
| 27C | 0062673 | Fuel Bushing | Bague d'essence | Buje de combustible | 1 |
| 27D | 0064306 | Fuel connector | Connecteur à carburant | Conector combustible | 1 |
| 28 | 0064107 | Module, low oil | Module, bas niveau d'huile | Módulo, nivel bajo de aceite | 1 |
| 29 | Note B | Washer, flat 3/8 | Rondelle plates 5/16 | Arandela, plana 5/16 | 2 |
| 30 | 0063830 | Bracket, low oil | Support, bas niveau d'huile | Soporte, nivel bajo de aceite | 1 |
| 31 | 0065271 | Handle | Poignée | Manija | 1 |
| 32 | Note B | Bolt, 1/4-20 x 1.75 | Boulon | Perno | 2 |
| 33 | 0058933 | Washer, flat 1/4 W | Rondelle plates 1/4 large | Arandela, plana 1/4 lejos | 2 |
| 34 | Note B | Bolt, 1/4-20 x .75 | Boulon | Perno | 1 |
| 35 | 0062058 | Wheel | Roue | Rueda | 2 |
| 36 | 0050298 | Switch, Rocker | Interrupteur | Interruptor | 1 |
| 37 | 0055894 | Foot rubber | Pied | Pie | 2 |
| 38 | 0062020 | Screw #6-19 x .50 Torx | Vis | Tornillo | 4 |
| 39 | 0058933 | Washer, flat 1/4 W | Rondelle plates 1/4 large | Arandela, plana 1/4 lejos | 4 |
| 40 | 0049352 | Washer, flat 5/16 W | Rondelle plates 5/16 large | Arandela, plana 5/16 lejos | 2 |
| 41 | Note B | Bolt, 1/4-20 x 1.25 | Boulon | Perno | 1 |
| 42 | 0052931 | J clamp | Collier | Pinza vinílica | 1 |
| 43 | 0062932 | Spacer, foot | Entretoise | Espaciador | 2 |
| 44 | 0064072 | Oil warning light | Huiler l'Avertissement Allume | La luz de la advertencia para el aceite | 1 |
| 45 | 0062567 | Nut M8 | Écrous M8 | Tuerca M8 | 2 |
| 46 | 0065180 | Plastic cover | Couvercle en plastique | Cubierta de plástico | 1 |
| 47 | 0065216 | Screw, #6-19 x 1 | Vis | Tornillo | 5 |
| 48 | 0065179 | Plastic bezel | Cadre en plastique | Bisel de plástico | 1 |
| 49 | 0065181 | Gasket | Joint | Empaque | 1 |
| 50 | 0055982.01 | Cord Keeper™ | Cord Keeper™ | Cord Keeper™ | 2 |
| 51 | Note B | Bolt, 1/4-20 x 1.50 | Boulon | Perno | 1 |
| 52 | Note B | Bolt, 1/4-20 x 2 | Boulon | Perno | 4 |

PARTS LIST / LISTE DES PIÈCES / LISTA DE PIEZAS

| Ref No. | Part No. | Description | Description | Descripción | Qty |
|---------|----------|------------------------|------------------------------------|-------------------------------------|-----|
| 60 | 0065506 | Generator head, Vision | Tête de la génératrice, Vision | Cabezal del generador, Vision | 1 |
| 60A | 0065696 | Adapter, engine | Adaptateur pour moteur | Adaptor, motor | 1 |
| 60B | 0065698 | Rotor | Rotor | Rotor | 1 |
| 60C | 0065695 | Stator | Stator | Estator | 1 |
| 60D | 0065705 | Band, stator cover | Bande | Banda | 1 |
| 60E | 0065704 | Bolt, M6 x 179 | Boulon | Perno | 4 |
| 60F | 0063287 | Support, bearing | Support, roulement | Soporte, Cojinete | 1 |
| 60G | 0063288 | Brush module | Brosser le module | Cepille módulo | 1 |
| 60H | 0065694 | Screw flg M5 x 16mm | Vis | Tornillo | 3 |
| 60I | 0063290 | AVR module | La tension automatique régulatrice | El regulador automático del voltaje | 1 |
| 60J | 0063313 | Bolt, M5 x 214 | Boulon | Perno | 2 |
| 60K | 0063293 | Nut M5 | Écrous | Tuerca | 2 |
| 60L | 0063294 | Terminal block | Bloc délimitant | Bloque terminal | 1 |
| 60M | 0063295 | Washer M5 | Rondelle | Arandela | 2 |
| 60N | 0065700 | Washer, lock 10mm ID | Contre-écrou | Arandela, de cierre | 1 |
| 60O | 0065701 | Washer 10.5mm ID | Rondelle | Arandela | 1 |
| 60P | 0063298 | Cover, end | Couvercle | Tapa | 1 |
| 60Q | 0063299 | Screw flg M5 x 12mm | Vis | Tornillo | 6 |
| 60R | 0063406 | Fan | Ventilateur | Ventilador | 1 |
| 60S | 0065699 | Bolt 5/16-24 x 9 | Boulon | Perno | 1 |
| 60T | 0063413 | Bearing | Roulement | Cojinete | 1 |
| 60U | 0065697 | Harness, panel-head | Harnais, tableau-tête | Arreos, panel-cabezal | 1 |

