

PORTABILITY KIT INSTALLATION

TOOLS REQUIRED: 7/16", 1/2" and 9/16" sockets and ratchets, block(s) of wood (minimum of 6" tall).
Refer to the parts list on page 9.

WHEEL INSTALLATION

1. Block up end of generator opposite the fuel tank cap to install wheel kit.
2. Insert wheel spacer (**item 45**) into the center of the wheel (**item 31**).
3. Slide 3/8 x 4.25" bolt (**item 35**) and 3/8 washer (**item 30**) through the wheel (**item 31**), then through the wheel bracket on the carrier, with the offset side of the wheel hub against the wheel bracket.
4. Thread 3/8 nyloc nut (**item 36**) onto the bolt and tighten to securely clamp the wheel assembly to the carrier.
5. Repeat above instructions for the remaining wheel.

FOOT INSTALLATION

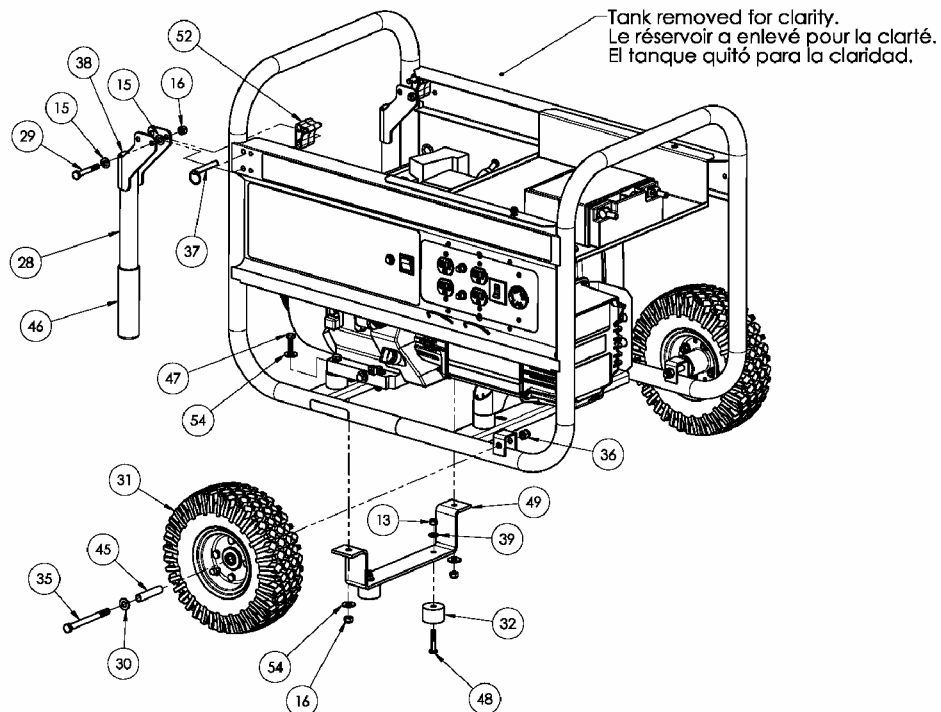
1. Assemble the rubber feet (**item 32**) to the foot bracket (**item 49**) using a 1/4-20 x 1.5" bolt (**item 48**). Thread a 1/4 washer (**item 39**) and a 1/4 nyloc nut (**item 13**) to the bolt to secure the assembly. **Caution: Do not over tighten so that the foot material collapses.**
2. Blocking up the alternator side of the generator, place the foot bracket under the carrier channel. Thread a 5/16-18 x 1" bolt (**item 47**) with a 5/16 wide washer (**item 54**) through the mounting holes and thread a 5/16 wide washer (**item 54**) and a 5/16 nyloc nut (**item 16**) to the bolt to secure the foot bracket to the carrier.

HANDLE INSTALLATION

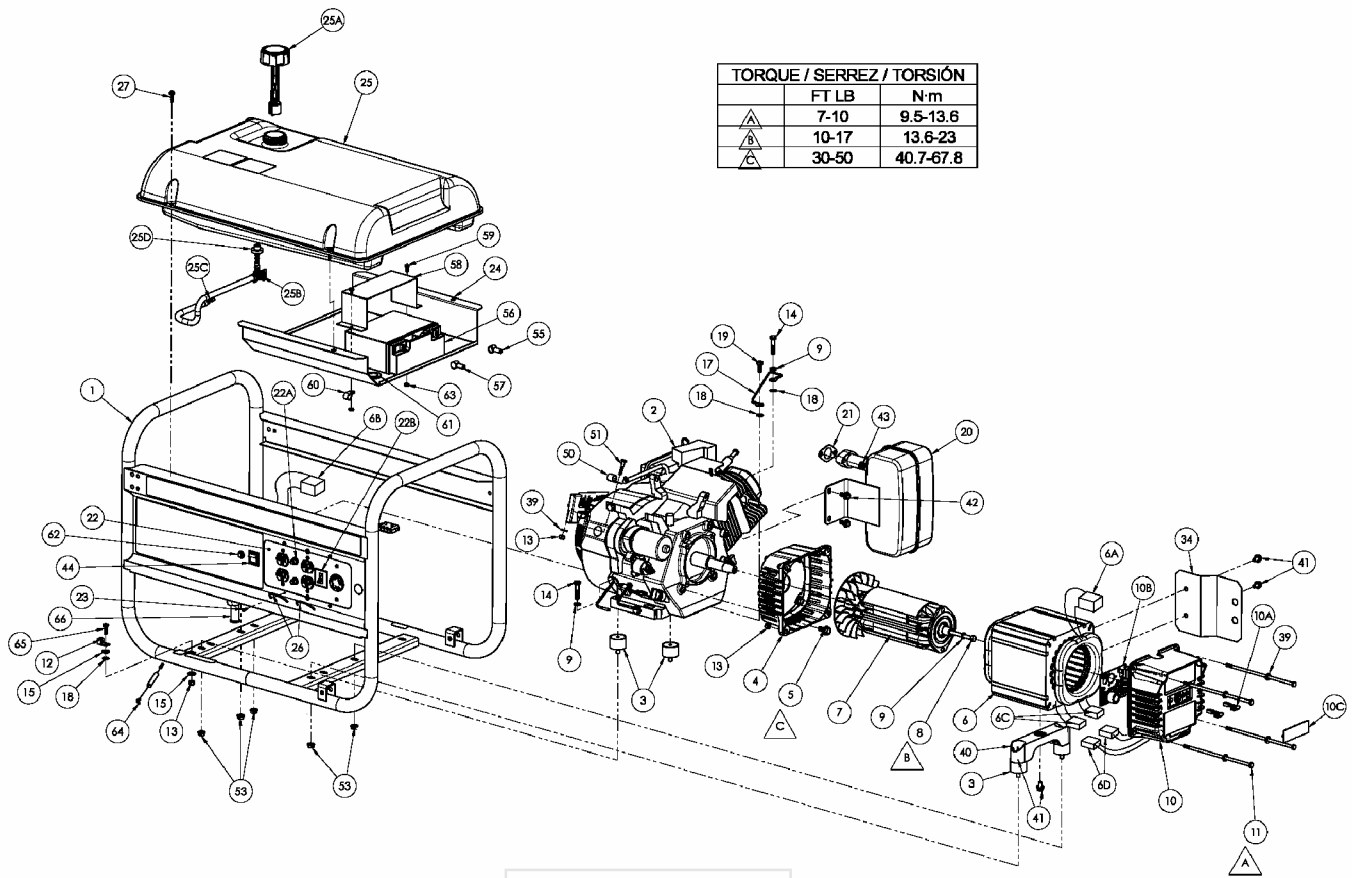
1. Place handle (**item 28**) and spacer (**item 52**) on carrier on same end as feet, as shown in the diagram.
2. Slide 5/16 x 2.25" bolt (**item 29**) and 5/16 washers (**item 15**) through handle and handle bracket as shown in diagram and secure with 5/16" nyloc nut (**item 16**). Tighten until handle is securely clamped to the carrier.
3. Apply aerosol hairspray or similar adhesive to the handle (**item 28**), and then slide the handle grip (**item 46**) onto the handle. The aerosol hairspray will allow for easier assembly and will adhere the grip to the handle.
4. Insert cap (**item 38**) into end of handle (**item 28**).
5. Repeat above instructions for the remaining handle.

LOCKING HANDLE

1. Attach the lanyards (**item 33**) to the release pins (**item 37**) and carrier as shown in the illustration.
2. To lock the handle (**item 28**) in the extended position, align the holes in the handle brackets with the holes in the carrier brackets and insert the release pins (**item 37**).



PARTS DRAWING / SCHEMA DES PIÈCES / DIAGRAMA DE PIEZAS



PC0496752

PARTS LIST / LISTE DES PIÈCES / LISTA DE PIEZAS

REF. NO.	PART NO.	DESCRIPTION	DESCRIPTION	DESCRIPCIÓN	QTY
1	0065594	Carrier, assembly	Ensemble transport	Transportador, conjunto	1
2	Note A	Engine 13 hp Honda OHV ES	Moteur	Motor	1
3	0051094	Isolator	Sectionneur	Aislador	4
4	0050236.01	Adapter, engine	Adaptateur pour moteur	Adaptador, motor	1
5	0000919.01	Bolt whz 3/8-16 x .75	Boulon	Perno	4
6	0064374	Stator 6.75 KW 60 HZ AVR	Stator	Estator	1
6A	0063172	Connector, stator	Connecteur, stator	Conector, estator	1
6B	0062797	Connector, panel	Connecteur, tableau	Conector, panel	1
6C	0056717	Connector, stator	Connecteur, stator	Conector, estator	2
6D	0049835	Connector, endbell	Connecteur, couvre-enroulement	Conector, caja posterior	2
7	0052293	Rotor 7 KW	Rotor	Rotor	1
8	0049613.01	Bolt, hex 5/16-24 x 8.69	Boulon	Perno	1
9	Note B	Washer, lock 5/16	Contre-écrou 5/16	Arandela, de cierre 5/16	3

PARTS LIST / LISTE DES PIÈCES / LISTA DE PIEZAS

REF. NO.	PART NO.	DESCRIPTION	DESCRIPTION	DESCRIPCIÓN	QTY
10	0062478	Endbell Wired AVR	Couvre-enroulement, câblage complet tableau	Caja posterior con cable	1
10A	0050439	Brush, E-4R	Balais, E-4R	Escobilla, E-4R	2
10B	0065649	Assembly, AVR board	Ensemble de planche de tension automatique régulateur	Conjunto de la tabla del regulador automático del voltaje	1
10C	0062745	Brush Cover	Couvre-balais	Cubierta de escobillas	1
11	0035170	Bolt, hex hd 1/4-20 x 8	Boulon	Perno	4
12	0008854	Lug, ground	Oeillet de mise à la terre	Terminal, tierra	1
13	0040832	Nut, nyloc 1/4-20	Écrous nyloc 1/4-20	Tuerca, nyloc 1/4-20	7
14	Note B	Bolt, 5/16-18 x 1 1/2	Boulon	Perno	2
15	Note B	Washer, flat 5/16	Rondelle plates 5/16	Arandela, plana 5/16	6
16	0048736	Nut, nyloc 5/16-18	Écrous nyloc 5/16-18	Tuerca, nyloc 5/16-18	4
17	0049224	Assembly, ground wire	Ensemble fil de masse tressé a tierra	Conjunto, cable trenzado	1
18	Note B	Washer, star external 5/16	Rondelle à dents externa 5/16	Arandela, estrella	3
19	Note B	Bolt, hex 5/16-18 x 3/4	Boulon, tête hex 5/16-18 x 3/4	Perno	1
20	0057664	Muffler	Silencieux	Silenciador	1
21	0061392	Gasket	Joint	Empaquetadura	1
22	0065595	Panel, wired	Tableau complet câblé	Panel, cabeado completo	1
22A	0049071	Circuit Breaker 20 amp	Disjoncteurs 20 amp	Cortacircuitos 20 amp	2
22B	0062838	Circuit Breaker 30 amp dual	Disjoncteurs 30 amp	Cortacircuitos 30 amp	1
23	0062020	Screw #6-19 x .50 Torx	Vis	Tornillo	4
24	0064212	Shield, heat	Écran de chaleur	Pantalla para el calor	1
25	Note C	Fuel tank assembly	Ensemble complet du réservoir	Conjunto tanque	1
25A	0056231	Fuel Cap	Capuchon	Tapa de combustible	1
25B	0061756	Fuel shut off with filter	Robinet de carburant	Válvula combustible con filtro	1
25C	0064306	Fuel connector	Connecteur à carburant	Conector combustible	1
25D	0062673	Fuel Bushing	Bague d'essence	Buje de combustible	1
26	0055982.01	Cord Keeper™	Cord Keeper™	Cord Keeper™	2
27	0058618	Screw #10 x 1	Vis	Tornillo	4
28	0064308	Handle	Poignée	Manija	2
29	Note B	Bolt, 5/16-18 x 2 1/4	Boulon	Perno	2
30	Note B	Washer, flat 3/8	Rondelle plates 3/8	Arandela, plana 3/8	2
31	0057704	Wheel	Roue	Rueda	2
32	0055894	Rubber Foot	Pied	Pie	2
33	0062174	Lanyard	Lanyard	Acollador	2
34	0062266	Shield, heat	Écran de chaleur	Pantalla para el calor	1
35	Note B	Bolt, 3/8-16 x 4.25	Boulon	Perno	2
36	0057578	Nut, nyloc 3/8-16	Écrous nyloc 3/8-16	Tuerca, nyloc 3/8-16	2
37	0062502	Pin, release	Épingle de relâchement	Alfileres de la liberación	2
38	0058955	Cap, plastic	Capuchon	Tapa	2
39	Note B	Washer, flat 1/4	Rondelle plates 1/4	Arandela, plana 1/4	7
40	0056342	Bracket, stator	Sectionneur stator	Conjunto de soporte	1
41	0049279	Bolt, whz 5/16-18 x 1/2	Boulon	Perno	5
42	0000901.01	Bolt, whz 5/16-24 x 5/8	Boulon	Perno	2
43	0061393	Nut whz 8mm	Écrous	Tuerca	2
44	0063673	Switch, Rocker	Interrupteur	Interruptor	1
45	0062433	Wheel spacer	Bague d'espacement	Espaciador de la rueda	2
46	0062495	Grip, handle	Poignée	Empuñadura	2
47	Note B	Bolt, 5/16-18 x 1	Boulon	Perno	2
48	Note B	Bolt, 1/4-20 x 1 1/2	Boulon	Perno	3
49	0063546	Bracket, foot	Support de pied	Soporte del pie	1
50	0052931	J clamp	Collier	Pinza vinilica	1
51	Note B	Bolt, 1/4-20 x 1 1/4	Boulon	Perno	1
52	0063164	Spacer, handle bracket	Entretoise	Espaciador	2
53	0057254	Nut, hex flg 5/16-18	Écrous 5/16-18	Tuerca 5/16-18	5
54	0049352	Washer, flat 5/16 W	Rondelle plates 5/16 large	Arandela, plana 5/16 lejos	4
55	0064221	Boot, black	Botte, noir	Bota, negro	1
56	0063574	Battery 12V 18AH	Batterie	Batería	1
57	0064220	Boot, red	Botte, rouge	Bota, rojo	1
58	0064222	Bracket, battery hold-down	Support, Botte	Soporte, batería	1
59	0047864	Screw #10-32 x .50	Vis	Tornillo	2
60	0047706	Clamp, nylon 1/2	Collier	Abrazadera	1
61	0057183	Grommet	Oeillet	Arandela de cabo	1
62	0063672	Start button	Bouton de début	Botón de comienzo	1
63	0051930	Nut hex #10-32 Keps	Écrous #10-32	Tuerca #10-32	2
64	0064379	Assembly, diode	Ensemble, diode	Conjunto, diodos	1
65	Note B	Bolt, 1/4-20 x 3/4	Boulon	Perno	1
66	0063965	Boot, red	Botte, rouge	Bota, rojo	1