

PORTABILITY KIT INSTALLATION

TOOLS REQUIRED: 7/16", 1/2" and 9/16" sockets and ratchets, block(s) of wood (minimum of 6" tall).
Refer to the parts list and drawing on pages 8 and 9.

WHEEL INSTALLATION

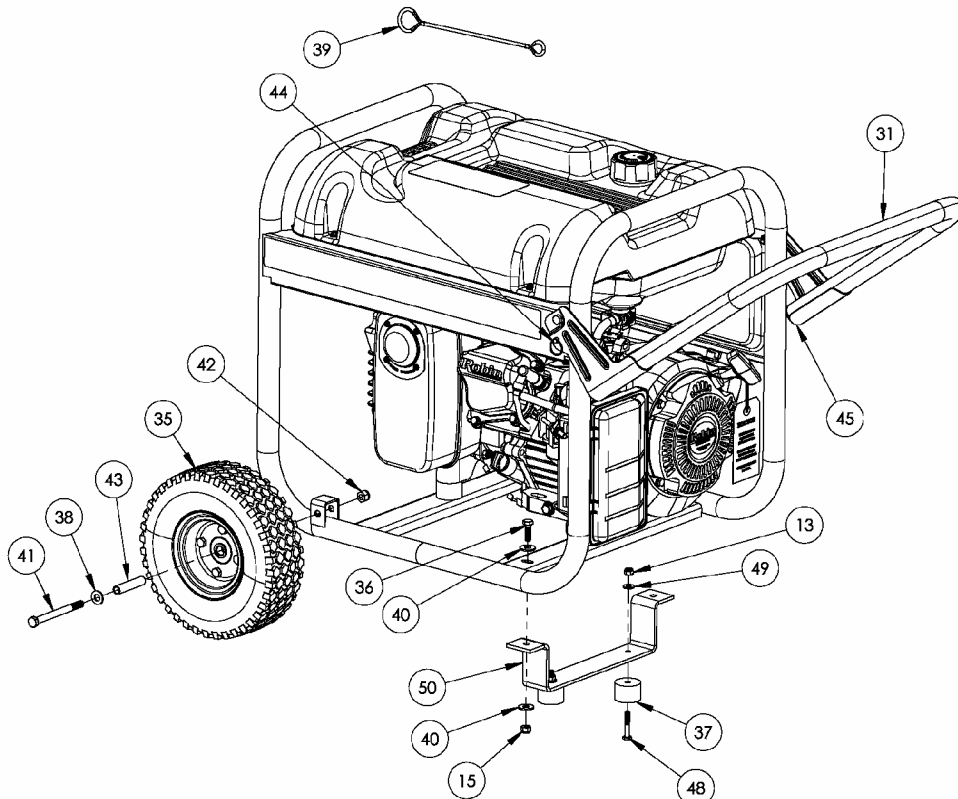
1. Block up end of generator opposite the fuel tank cap to install wheel kit.
2. Insert wheel spacer (**item 43**) into the center of the wheel (**item 35**).
3. Slide 3/8 x 4.25" bolt (**item 41**) and 3/8 washer (**item 38**) through the wheel (**item 35**), then through the wheel bracket on the carrier, with the offset side of the wheel hub against the wheel bracket.
4. Thread 3/8 nyloc nut (**item 42**) onto the bolt and tighten to securely clamp the wheel assembly to the carrier.
5. Repeat above instructions for the remaining wheel.

FOOT INSTALLATION

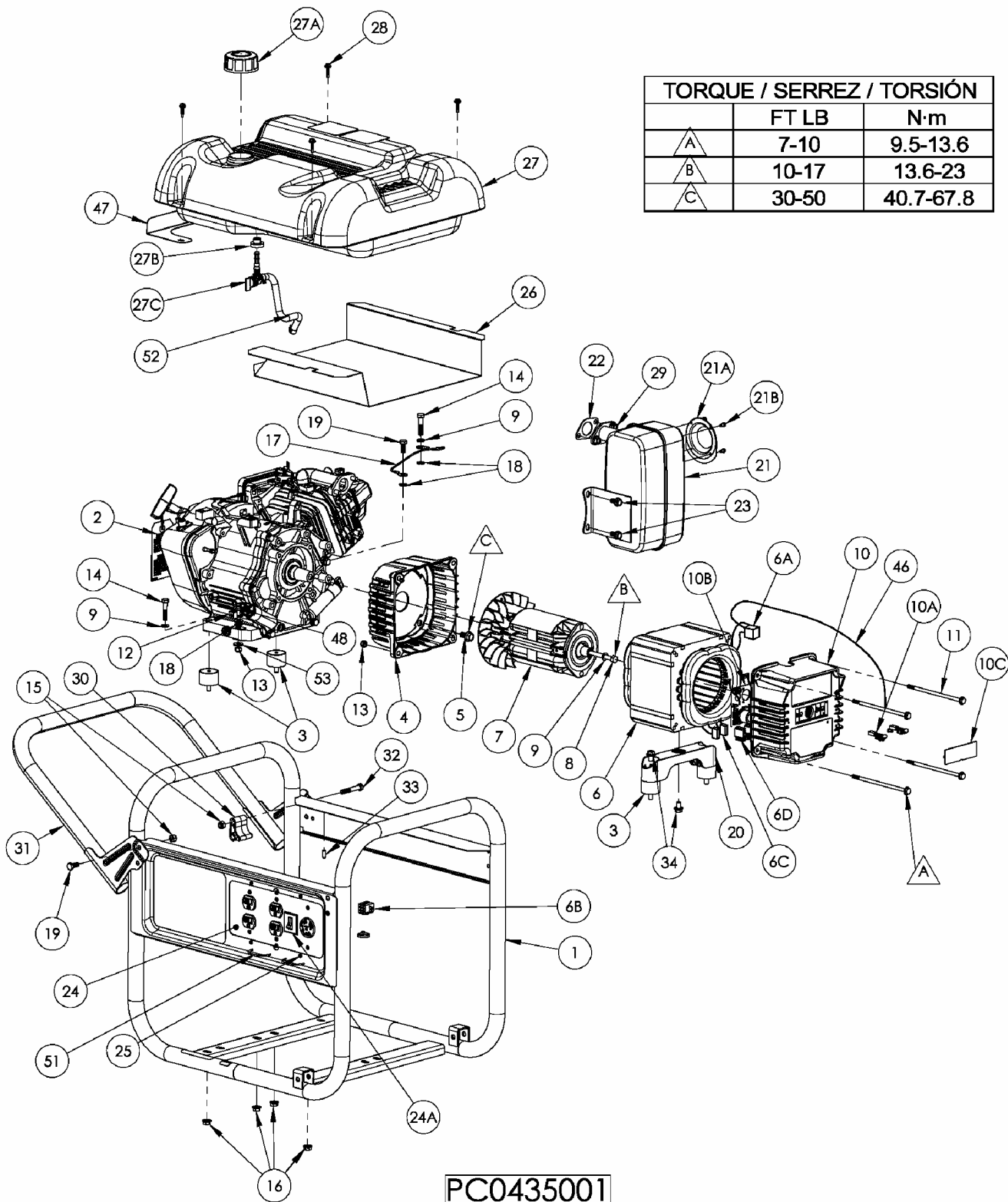
1. Assemble the rubber feet (**item 37**) to the foot bracket (**item 50**) using a 1/4-20 x 1.5" bolt (**item 48**). Thread a 1/4 washer (**item 49**) and a 1/4 nyloc nut (**item 13**) to the bolt to secure the assembly. **Caution: Do not over tighten so that the foot material collapses.**
2. Blocking up the alternator side of the generator, place the foot bracket under the carrier channel. Thread a 5/16-18 x 1" bolt (**item 36**) with a 5/16 washer (**item 40**) through the mounting holes and thread a 5/16 washer (**item 40**) and a 5/16 nyloc nut (**item 15**) to the bolt to secure the foot bracket to the carrier.

LOCKING HANDLE

1. Attach the lanyard (**item 39**) to the release pin (**item 44**) and carrier as shown in the illustration.
2. To lock the handle (**item 31**) in the extended position, align the holes in the handle bracket with the holes in the carrier bracket and insert the release pin (**item 44**).
3. Insert caps (**item 45**) into ends of handle (**item 31**)



PARTS DRAWING / SCHEMA DES PIÈCES / DIAGRAMA DE PIEZAS



PARTS LIST / LISTE DES PIÈCES / LISTA DE PIEZAS

REF. NO.	PART NO.	DESCRIPTION	DESCRIPTION	DESCRIPCIÓN	QTY
1	0063391	Carrier, assembly	Ensemble transport	Transportador, conjunto	1
2	Note A	Engine Robin EX30 OHC	Moteur	Motor	1
3	0051094	Isolator	Sectionneur	Aislador	4
4	0050236.01	Adapter, engine	Adaptateur pour moteur	Adaptador, motor	1
5	0000919.01	Bolt whz 3/8-16 x .75	Boulon	Perno	4
6	0064909	Stator 5 KW 60 HZ AVR	Stator	Estator	1
6A	0056716	Connector, stator	Jeu pr logemt prise, stator	Conjunto de conectores stator	1
6B	0062196	Connector hsg set panel	Jeu pr logemt prise, tableau	Conjunto de conectores panel	1
6C	0056717	Connector, stator	Jeu pr logemt prise, stator	Conjunto de conectores stator	2
6D	0049835	Connector hsg set endbell	Jeu pr logemt prise	Conjunto de conectores	2
7	0061832	Rotor 5 KW	Rotor	Rotor	1
8	0035055	Bolt, hex 5/16-24 x 6.63	Boulon	Perno	1
9	Note B	Washer, lock 5/16	Contre-écrou 5/16	Arandela, de cierre 5/16	3
10	0062478	Endbell Wired AVR	Couvre-enroulement, câblage complet tableau	Caja posterior con cable	1
10A	0050439	Brush, E-4R	Balais, E-4R	Escobilla, E-4R	2
10B	0065649	Assembly, AVR board	Ensemble de planche de tension automatique régulatrice	Conjunto de la tabla del regulador automático del voltaje	1
10C	0062745	Brush Cover	Couvre-balais	Cubierta de escobillas	1
11	0040816.01	Bolt, hex hd 1/4-20 x 6.00	Boulon	Perno	4
12	0008854	Lug, ground	Oeillet de mise à la terre	Terminal, tierra	1
13	0040832	Nut, nyloc 1/4-20	Écrous nyloc 1/4-20	Tuerca, nyloc 1/4-20	7
14	Note B	Bolt, 5/16-18 x 1 1/2	Boulon	Perno	2
15	0048736	Nut, nyloc 5/16-18	Écrous nyloc 5/16-18	Tuerca, nyloc 5/16-18	4
16	0057254	Nut, hex flg 5/16-18	Écrous 5/16-18	Tuerca, 5/16-18	7
17	0049224	Assembly, ground wire	Ensemble fil de mise à la terre	Conjunto, câble de tierra	1
18	Note B	Washer, star external 5/16	Rondelle à dents externa 5/16	Arandela, estrella	3
19	Note B	Bolt, hex 5/16-18 x 3/4	Boulon, tête hex 5/16-18 x 3/4	Perno	2
20	0056342	Bracket, stator	Sectionneur stator	Conjunto de soporte	1
21	0063864	Muffler	Silencieux	Silenciador	1
21A	0038984	Screen, spark arrest	Crépine, pare-étincelles	Malla, apagachispas	1
21B	0001537	Screw #8-32 x 3/8	Vis	Tornillo	4
22	0062566	Gasket	Joint	Empaquetadura	1
23	0000901.01	Bolt whz 5/16-24 x .63	Boulon	Perno	2
24	0064598	Panel, wired	Tableau compl. câblé	Panel, cabeado completo	1
24A	0062198	Circuit Protector 20 amp dual	Protecteur de circuit 20 amp	Protector de circuito 20 amp	1
25	0062020	Screw #6-19 x .50 Torx	Vis	Tornillo	4
26	0063125	Shield, heat	Écran de chaleur	Pantalla para el calor	1
27	Note C	Fuel tank assembly	Assemb. complet du réservoir	Conjunto tanque	1
27A	0064057	Fuel Cap	Capuchon	Tapa de combustible	1
27B	0062673	Fuel Bushing	Bague d'essence	Buje de combustible	1
27C	0061756	Fuel shut off with filter	Robinet de carburant	Válvula combustible con filtro	1
28	0058618	Screw, #10 x 1	Vis	Tornillo	4
29	0061393	Nut whz 8mm	Écrous	Tuerca	2
30	0063164	Bracket, handle lock	Support	Soporte	1
31	0064074	Handle	Poignée	Manija	1
32	Note B	Bolt, 5/16-18 x 1 3/4	Boulon	Perno	1
33	0062159	Cap, rubber	Capuchon	Tapa	1
34	0049279	Bolt whz 5/16-24 x .63	Boulon	Perno	3
35	0063771	Wheel	Roue	Rueda	2
36	Note B	Bolt, 5/16-18 x1	Boulon	Perno	2
37	0055894	Foot rubber	Pied	Pie	2
38	Note B	Washer, flat 3/8	Rondelle plates 3/8	Arandela, plana 3/8	2
39	0062174	Lanyard	Lanyard	Acollador	1
40	0049352	Washer, flat 5/16 W	Rondelle plates 5/16 large	Arandela, plana 5/16 lejos	4
41	Note B	Bolt, 3/8-16 x 4.25	Boulon	Perno	2
42	0057578	Nut, nyloc 3/8-16	Écrous nyloc 3/8-16	Tuerca, nyloc 3/8-16	2
43	0062433	Spacer .38 ID	Entretoise	Espaciador	2
44	0062502	Pin, release	Épingle de relâchement	Alfileres de la liberación	1
45	0058955	Cap, plastic	Capuchon	Tapa	2
46	0007587	Assembly, ground wire	Ensemble fil de mise à la terre	Conjunto, câble de tierra	1
47	0062262	Shield, heat	Écran de chaleur	Pantalla para el calor	1
48	Note B	Bolt, 1/4-20 x 1 1/2	Boulon	Perno	3
49	Note B	Washer, flat 1/4	Rondelle plates 1/4	Arandela, plana 1/4	2
50	0063546	Bracket, foot	Support de pied	Soporte del pie	1
51	0055982.01	Cord Keeper™	Cord Keeper™	Cord Keeper™	2
52	0062999	Hose assembly	Ensemble de flexible	Conjunto, manguera	1
53	0058933	Washer, flat 1/4 W	Rondelle plates 1/4 large	Arandela, plana 1/4 lejos	2