

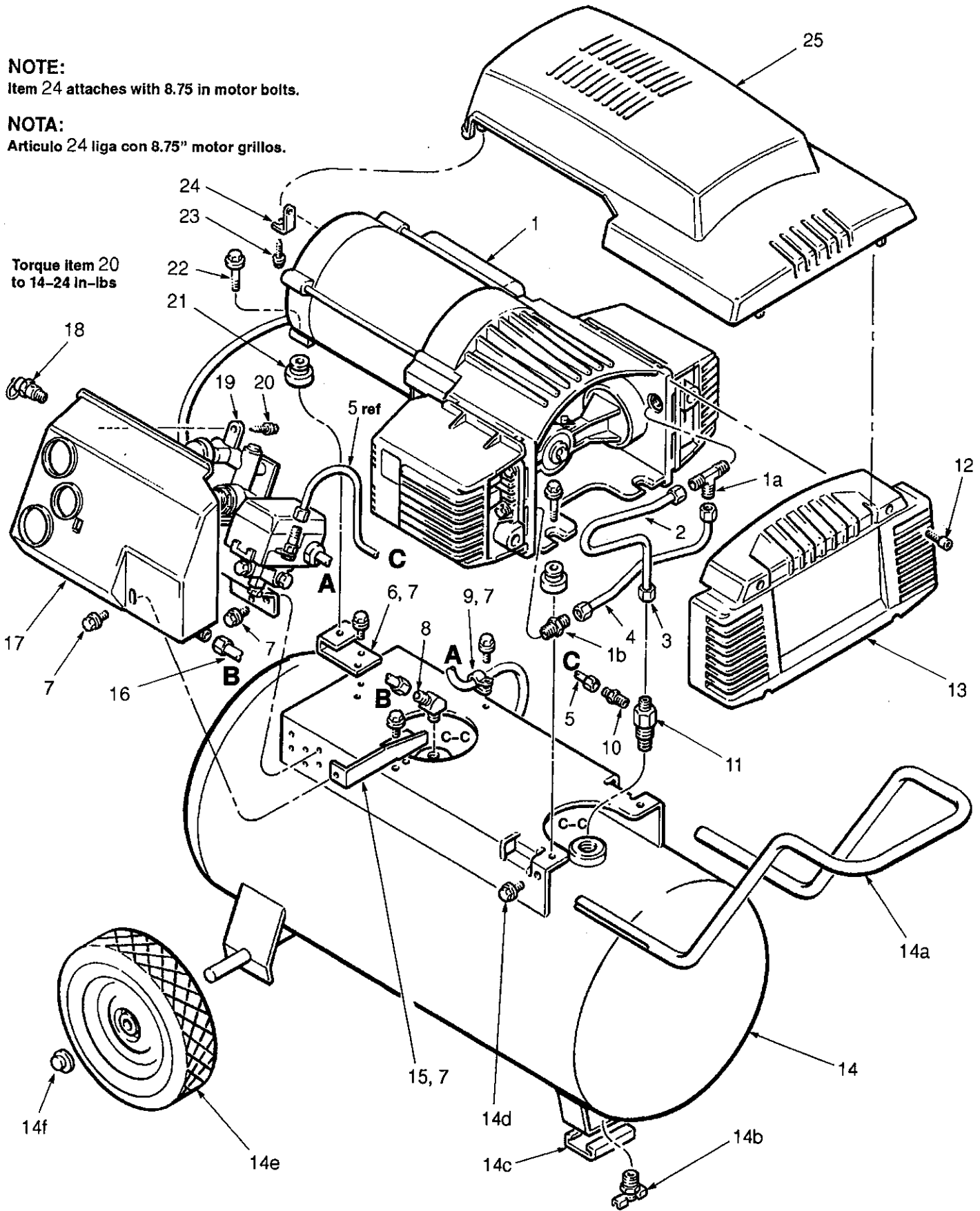
NOTE:

Item 24 attaches with 8.75 in motor bolts.

NOTA:

Artículo 24 liga con 8.75" motor grillos.

Torque Item 20
to 14-24 in-lbs



"J" Series OILLESS

MODEL B09J500-20 includes items 1-25
5 HP with 20 gal portable non-code tank

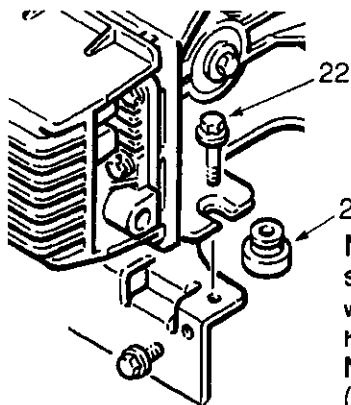
MODEL B09J500-20A includes items 1-25
5 HP with 20 gal portable A.S.M.E. tank

Serie "J" SIN ACEITE

MODELO B09J500-20 incluye los artículos 1-25
5 HP con tanque portátil de 75,7 litros con especificaciones fuera de código

MODELO B09J500-20 incluye los artículos 1-25
5 HP con tanque portátil de 75,7 litros con especificaciones de código A.S.M.E.

ITEM	PART NO	DESCRIPTION	QTY
ART.	NO. DE PIEZA	DESCRIPCION	CANTIDAD
1	040-0184	5 HP PUMP/MOTOR ASSY includes items 1a & 1b see page 26 for parts	1
1a	069-0019	TEE, includes 2 of item 3	1
1b	068-0017	CONNECTOR, male includes 1 of item 3	1
2	145-0227	TUBE, transfer	1
3	058-0007	COMP. NUT, w/ sleeve, 3/8" tube included with items 1a, 1b, 8 and 11	11
4	145-0235	TUBE, crossover	1
5	145-0228	TUBE, bleeder, C-C	1
6	114-0238	BRACKET, rear, motor	1
7	059-0216	.BOLT, 1/4"-20 x 1/2" lg w/serrated washer	10
8	064-0051	ELBOW, 45°, male, includes 1 of item 3	1
9	103-0085	CLAMP	1
10	068-0002	CONNECTOR, male	1
11	031-0037	CHECK VALVE, includes 1 of item 3 1/2 npt x 3/8" OD tube fitting	1
12	061-0074	SCREW, socket hd, #8 x 1.0"	4
13	077-0130	COVER	1

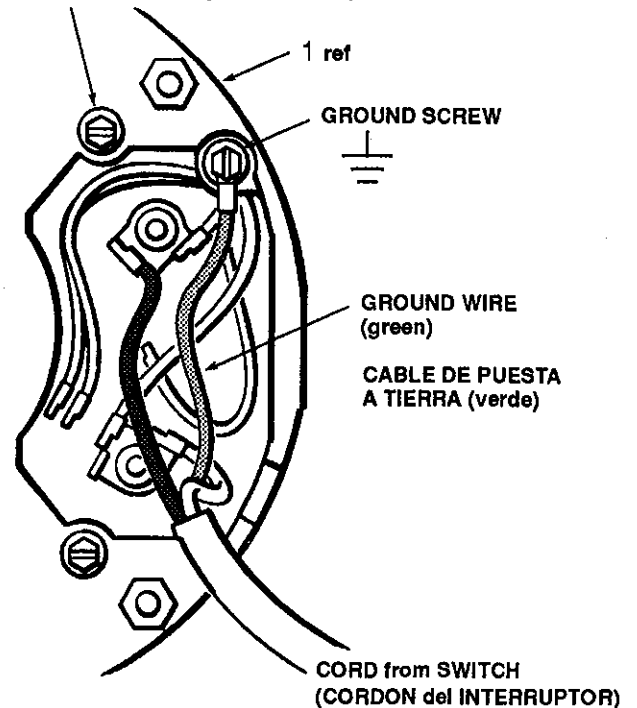


NOTE:
Slide isolator (21) into slot
when mounting to pump/motor
housing
NOTA: Introduce articulo
(21) en la muesca juntar a la
bomba/motor.

ITEM	PART NO	DESCRIPTION	QTY
ART.	NO. DE PIEZA	DESCRIPCION	CANTIDAD
14	130-0038	TANK ASSEMBLY, 20 gallon includes items 14a-14f	or 1
	152-0025	TANK ASSY, 20 gallon A.S.M.E. includes items 14a-14f	1
14a	112-0049	.HANDLE, platform	1
14b	072-0001	.PETCOCK	1
14c	094-0015	.PAD, vibration	1
14d	059-0216	.BOLT, 1/4"-20 x 1/2" lg w/serrated washer	2
14e	095-0014	.WHEEL	2
14f	033-0002	.HUB CAP	2
15	114-0239	BRACKET, cover, manifold	1
16	145-0229	TUBE, outlet, B-B	1
17	077-0129	COVER, manifold	1
18	136-0037	VALVE, pressure relief	1
19	141-0161	MANIFOLD/SWITCH ASSEMBLY, with power cord A-A see pages 24 & 25 for parts	1
20	061-0005	SCREW, socket hd, #10 x 3/4"	2
21	093-0019	GROMMET, isolator	3
22	059-0221	BOLT, shoulder	3
23	061-0075	SCREW, socket hd, #10 tap x 3/4"	2
24	114-0241	BRACKET, shroud	2
25	142-0086	SHROUD	1

**MOTOR WIRING DETAIL
(DETALLES DEL CABLEADO DEL MOTOR)**

NOTE: Loosen (2) screws to remove plate
NOTA: Afloje (2) tornillos para retirar la placareferencia 2



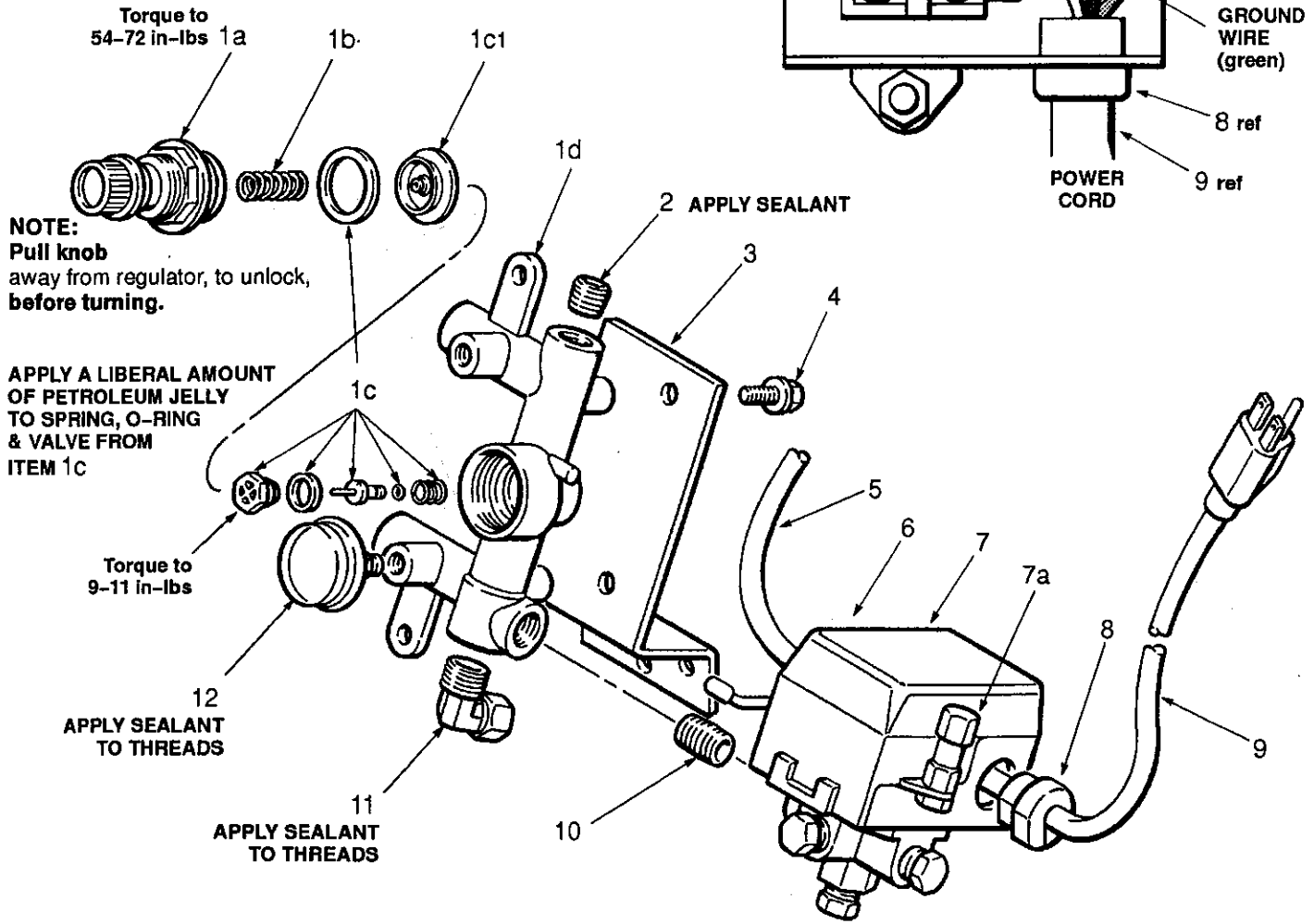
PARTS DRAWING

MANIFOLD/SWITCH ASSEMBLY

includes items 1-12

WARNING:

To avoid serious bodily injury and/or loss of warranty NEVER tamper with these adjustment screws.



ITEM	PART NO	DESCRIPTION	QTY
1	NA	REGULATOR/MANIFOLD ASSY includes items 1a-1d	1
1a	092-0011	.KNOB ASSEMBLY	1
1b	055-0057	.SPRING, long	1
1c	165-0096	.KIT, regulator also includes item 1c1	1
1c1	155-0034	..DIAPHRAGM ASSEMBLY	1
1d	041-0026	..MANIFOLD, machined	1
2	062-0035	PLUG, pipe, 1/4" NPTF	1
3	114-0240	BRACKET, manifold	1
4	059-0216	SCREW, 1/4"-20 x 1/2" lg	2
5	026-0221	CORD, interconnect	1

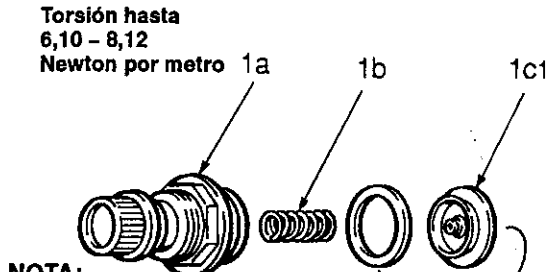
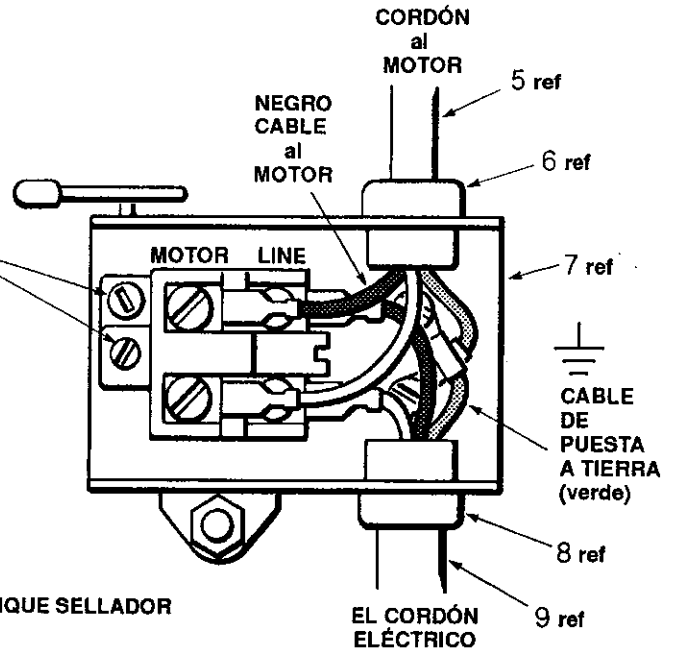
ITEM	PART NO	DESCRIPTION	QTY
6	071-0008	STRAIN RELIEF, motor cord	1
7	034-0094	PRESSURE SWITCH includes 7a	1
7a	136-0038	.VALVE, bleeder, includes star washer, 1/4" comp nut	1
8	071-0009	STRAIN RELIEF, power cord	1
9	026-0222	POWER CORD, 230 V	1
10	065-0031	NIPPLE, pipe, 1/4"	1
11	064-0005	ELBOW, 90°, 3/8 NPTF includes comp. nut 058-0007	1
12	032-0001	GAUGE, pressure	2

ESQUEMA Y LISTA DE LAS PIEZAS

CONJUNTO DE MULTIPLE/INTERRUPTOR PARA LAS SERIES "J" incluye los artículos 1-12

ADVERTENCIA:

Para evitar lesiones personales y la anulación de su garantía NUNCA enteviene con los tornillos de ajuste.



Torsión hasta 6,10 - 8,12 Newton por metro

NOTA: Levante la perilla alejándola del regulador, para destrabar, antes de girar.

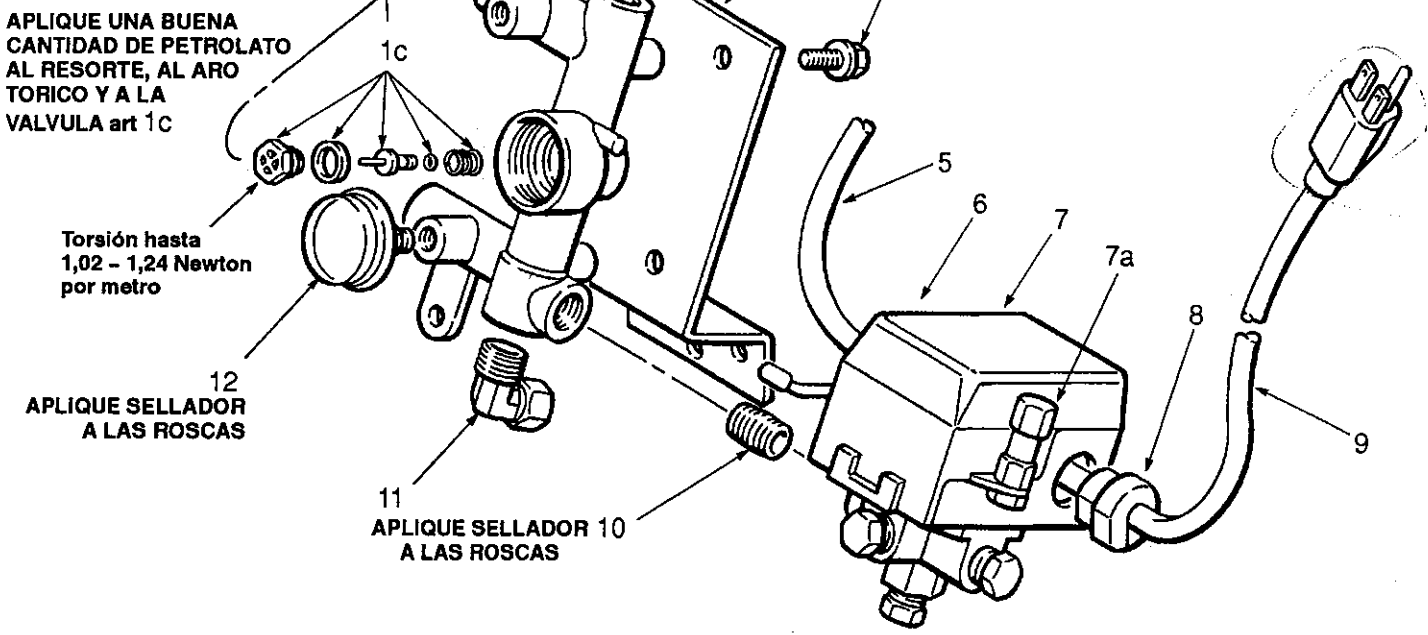
APLIQUE UNA BUENA CANTIDAD DE PETROLATO AL RESORTE, AL ARO TORICO Y A LA VALVULA art 1c

Torsión hasta 1,02 - 1,24 Newton por metro

12 APLIQUE SELLADOR A LAS ROSCAS

11 APLIQUE SELLADOR 10 A LAS ROSCAS

APLIQUE SELLADOR



ITEM	PART NO	DESCRIPTION	QTY	ITEM	PART NO	DESCRIPTION	QTY
1	NA	REGULATOR/MANIFOLD ASSY includes items 1a-1d	1	6	071-0008	STRAIN RELIEF, motor cord	1
1a	092-0011	.KNOB ASSEMBLY	1	7	034-0094	PRESSURE SWITCH includes 7a	1
1b	055-0057	.SPRING, long	1	7a	136-0038	.VALVE, bleeder, includes star washer, 1/4" comp nut	1
1c	165-0096	.KIT, regulator also includes item 1c1	1	8	071-0009	STRAIN RELIEF, power cord	1
1c1	155-0034	..DIAPHRAGM ASSEMBLY	1	9	026-0222	POWER CORD, 230 V	1
1d	041-0026	.MANIFOLD, machined	1	10	065-0031	NIPPLE, pipe, 1/4"	1
2	062-0035	PLUG, pipe, 1/4" NPTF	1	11	064-0005	ELBOW, 90°, 3/8 NPTF includes comp. nut 058-0007	1
3	114-0240	BRACKET, manifold	1	12	032-0001	GAUGE, pressure	2
4	059-0216	SCREW, 1/4"-20 x 1/2" lg	2				
5	026-0221	CORD, interconnect	1				

PARTS DRAWING and LIST — ESQUEMA Y LISTA DE LAS PIEZAS

PUMP/MOTOR ASSEMBLY

5 HP 040-0184 includes items 1-14 and 1a & 1b on pages 22 & 23.

CONJUNTO DE BOMBA/MOTOR

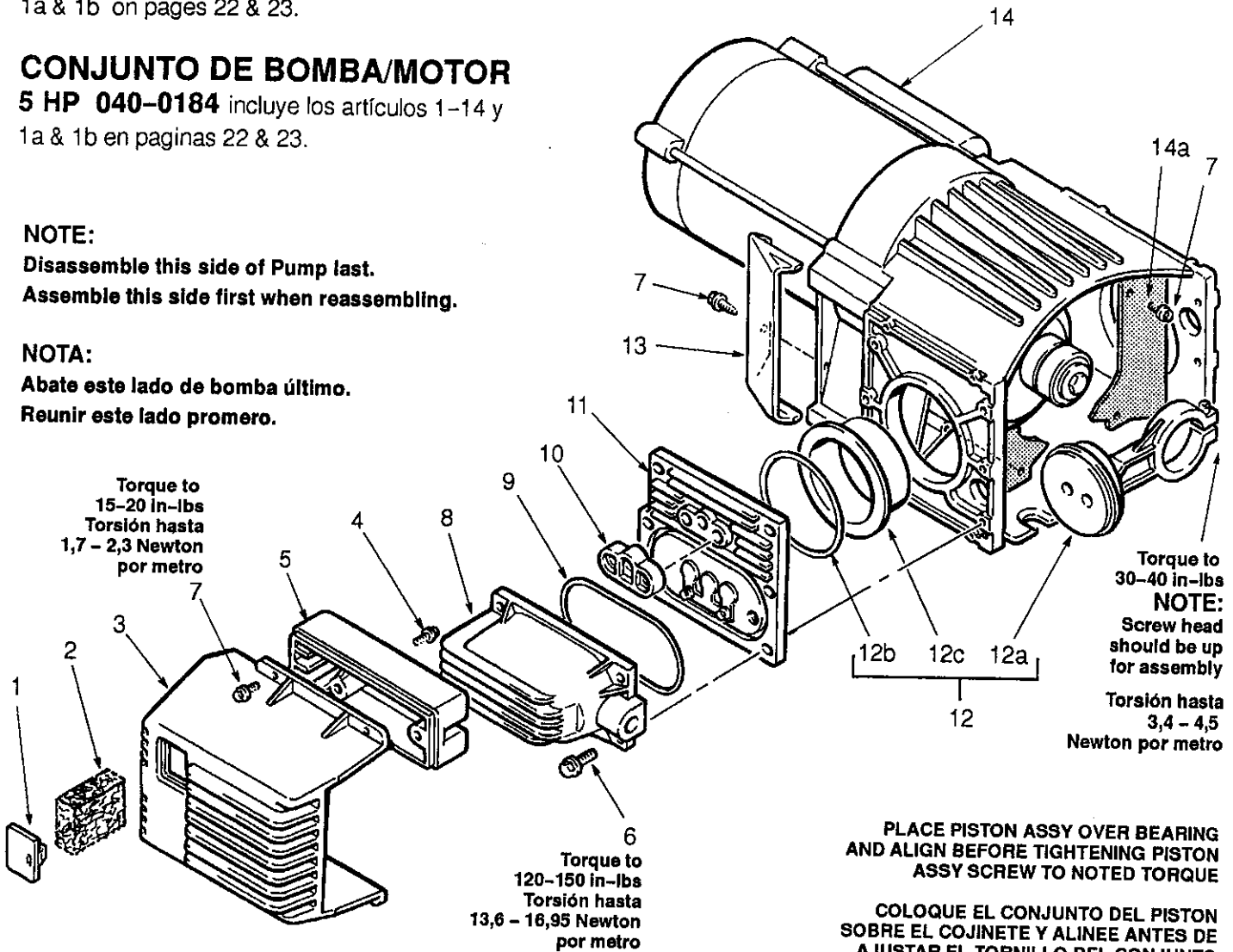
5 HP 040-0184 incluye los artículos 1-14 y 1a & 1b en paginas 22 & 23.

NOTE:

Disassemble this side of Pump last.
Assemble this side first when reassembling.

NOTA:

Abate este lado de bomba último.
Reunir este lado primero.



PLACE PISTON ASSY OVER BEARING
AND ALIGN BEFORE TIGHTENING PISTON
ASSY SCREW TO NOTED TORQUE

COLOQUE EL CONJUNTO DEL PISTON
SOBRE EL COJINETE Y ALINEE ANTES DE
AJUSTAR EL TORNILLO DEL CONJUNTO
DEL PISTON HASTA LA TORSION INDICADA

ITEM	PART NO	DESCRIPTION	QTY
ART.	PIEZA	DESCRIPCION	CANTIDAD
1	077-0118	COVER, filter	2
2	019-0152	FILTER, element	2
3	077-0117	COVER, pump	2
4	061-0060	SCREW, #8 -32 x 3/4" lg	4
5	019-0151	MANIFOLD, intake	2
6	061-0062	SCREW, 1/4" - 20 x 1" lg	12
7	061-0061	SCREW, #8 -32 x 3/8" lg	16
8	117-0009	MANIFOLD, exhaust	2
9	054-0157	O-RING, exhaust	2
10	046-0231	SEAL, intake	2
11	043-0151	VALVE PLATE ASSEMBLY	2
12	048-0074	PISTON & CYLINDER ASSEMBLY includes items 12a-12c	2
12a	NA	.PISTON ASSEMBLY	
12b	054-0158	.O-RING, cylinder	1
12c	NA	.CYLINDER, hardened	1

ITEM	PART NO	DESCRIPTION	QTY
ART.	PIEZA	DESCRIPCION	CANTIDAD
13	056-0037	DEFLECTOR, air	2
14	040-0218	MOTOR ASSEMBLY must be purchased as complete Pump/Motor/Bearing assembly includes item 14a & item 7 (4)	1
14a	056-0038	.BAFFLE, pump frame	2

SERVICE KITS AVAILABLE

PART NO	DESCRIPTION
046-0234	SEAL KIT includes items 9, 10 & 12b

JUEGOS DE SERVICIO DISPONIBLES

NO. DE	DESCRIPCION
PIEZA	
046-0234	JUEGO DE SELLOS incluye los artículos 9, 10 y 12b