

AIR COMPRESSOR PARTS MANUAL

Form 200-1947-890 Rev. A

PORTABLE "E" SERIES

OILLESS SINGLE STAGE DIRECT DRIVE
ELECTRIC 3/4, 1, 1½ & 2 HORSEPOWER

MODELS:

01EL75 SERIES



02EL100 SERIES

03EL150 SERIES

04EL200 SERIES

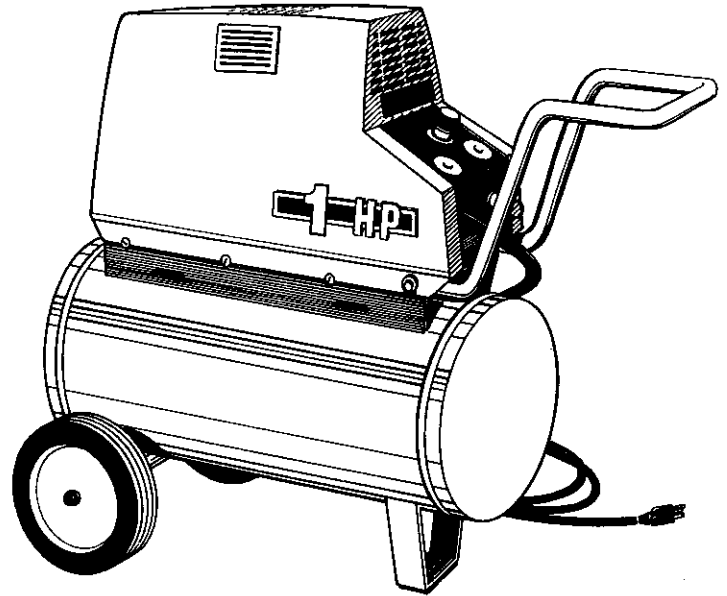
01EC75 SERIES



02EC100 SERIES

03EC150 SERIES

04EC200 SERIES



SPECIFICATION CHART

MODEL	HP	AIR RECEIVER (TANK) CAPACITY GALLONS	VOLTAGE/ AMPS/ PHASE	SCFM @ 40 PSI	SCFM @ 90 PSI	APPROXIMATE KICK-IN PRESSURE	APPROXIMATE KICK-OUT PRESSURE
01EL75-7.5	3/4	7.5	115/15/1	2.5	1.8	70	100
02EL100-7.5	1	7.5	115/15/1	4.0	2.7	70	100
03EL150-10	1½	10	115/15/1	5.2	3.7	70	100
04EL200-13	2	13	115/15/1	6.7	5.3	70	100
04EL200-20		20					
01EC75-7.5	3/4	7.5	115/15/1	2.5	1.8	70	100
02EC100-7.5	1	7.5	115/15/1	4.0	2.7	70	100
03EC150-10	1½	10	115/15/1	5.2	3.7	70	100
04EC200-20A	2	20 ASME	115/15/1	6.7	5.3	70	100

In the event you should have a question, or a concern, with the air compressor, **DO NOT** return it to the store where you purchased it. Most problems and concerns can be taken care of on the telephone!

Simply call the appropriate number listed below and discuss the concern with our trained Customer Service Department.

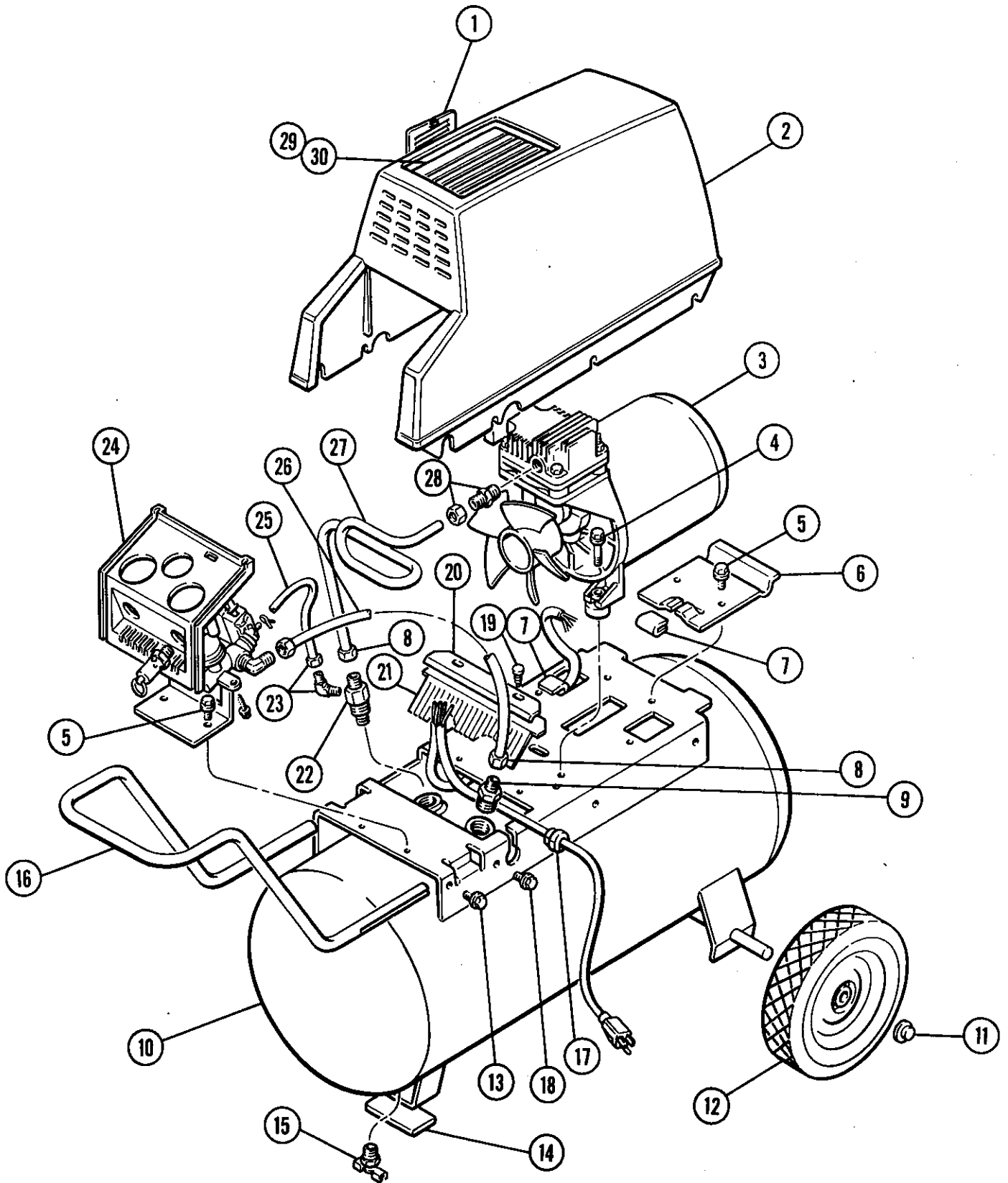
(800) 544-5145 (Toll Free) (204) 947-1754 (In Canada)

Should you not be able to reach us at the above numbers, please check the Service Center Listing included with your instruction manual and call the Service Center nearest you for assistance.

CAUTION:

Read the operator's manual carefully before attempting to operate or service this unit! **FAILURE TO COMPLY WITH INSTRUCTIONS COULD RESULT IN: VOIDING OF YOUR WARRANTY, PERSONAL INJURY AND/OR PROPERTY DAMAGE!** These Air Compressors are precision built from the finest materials and with proper care and maintenance will perform efficiently.

PARTS DRAWING



PARTS LIST

ITEM	PART NO.	DESCRIPTION	QTY.
1	077-0111	DOOR, shroud	1
2	142-0070	SHROUD, 3/4, 1, 1 1/2 HP	
	142-0072	SHROUD, 2 HP	1
3	040-0164	PUMP/MOTOR ASSEMBLY, 3/4 HP (see pg 6 for parts)	
	040-0161	PUMP/MOTOR ASSEMBLY, 1 HP (see pg 7 for parts)	
	040-0163	PUMP/MOTOR ASSEMBLY, 1 1/2 HP (see pg 6 for parts)	
	040-0162	PUMP/MOTOR ASSEMBLY, 2 HP (see pg 7 for parts)	1
4	059-0209	SCREW, shoulder 1/4" - 28 x 1 1/8"	2
5	059-0216	SCREW, 1/4" - 20 x 1/2" w/serrated washer	4
6	112-0048	HANDLE, platform	1
7	094-0020	ISOLATOR, vibration, u-channel	2
8	058-0007	NUT, compression	2
9	068-0008	VALVE, check 1/2" NPT	1
10	150-0020	TANK ASSEMBLY, 7.5 gallon includes items 11 - 16	
	127-0034	TANK ASSEMBLY, 10 gallon includes items 11 - 16	
	128-0024	TANK ASSEMBLY, 13 gallon includes items 11 - 16	
	130-0028	TANK ASSEMBLY, 20 gallon includes items 11 - 16	
	130-0029	TANK ASSEMBLY, 20 gal. ASME includes items 11 - 16	1
11	033-0001	HUB CAP, 7.5, 10 & 13 gallon tanks	
	033-0002	HUB CAP, 20 & 20A gallon tanks	2
12	095-0016	WHEEL, 7.5 gallon tanks	
	095-0010	WHEEL, 10 & 13 gallon tanks	
	095-0014	WHEEL, 20 & 20A gallon tanks	2
13	059-0216	SCREW, 1/4" - 20 x 1/2" w/serrated washer	2
14	094-0013	PAD, vibration 1 1/2" x 3"	1
15	072-0001	PETCOCK, 1/4" NPT	1
16	112-0048	HANDLE	1
17	071-0008	BUSHING, strain relief ("EL" series)	
	071-0009	BUSHING, strain relief ("EC" series)	1
18	059-0215	SCREW, 1/4" - 20 x 1/2"	6
19	093-0015	FASTENER, ratchet	2
20	114-0212	BRACKET, baffle	1
21	056-0032	BAFFLE, platform	1
22	031-0037	VALVE, check 1/2" NPT x 3/8" O.D. tube	1
23	064-0003	ELBOW, 90° brass	1
24	n/a	MANIFOLD/SWITCH ASSEMBLY ("EL" series) (see pg 4 for parts)	
	n/a	MANIFOLD/SWITCH ASSEMBLY ("EC" series) (see pg 5 for parts)	1
25	145-0188	TUBE, bleed (teflon) ("EL" series)	
	145-0173	TUBE, bleed (teflon) ("EC" series)	
	145-0180	TUBE, bleed (teflon) (2 HP "EC" series)	1
26	145-0175	TUBE, manifold (nylon)	
	145-0172	TUBE, manifold (nylon), 2 HP	1
27	145-0174	TUBE, transfer, 3/4 & 1 1/2 HP	
	145-0178	TUBE, transfer, 1 & 2 HP	1
28	068-0017	CONNECTOR, male, 3/4 & 1 1/2 HP OR	
	058-0098	SLEEVE, fitting 3/8", 1 & 2 HP with	
	068-0034	NUT, crimp, 1 & 2 HP	1
29	077-0112	COVER, shroud head, 2 HP only	1
30	061-0059	SCREW, 8 - 18 x 1/2", 2 HP only	2



Model O1EL75-7.5
3/4 HP - 7.5 gallon tank
includes items 1-28

Model O2EL100-7.5
1 HP - 7.5 gallon tank
includes items 1-28

Model O3EL150-10
1 1/2 HP - 10 gallon tank
includes items 1-28

Model O4EL200-13
2 HP - 13 gallon tank
includes items 1-30

Model O4EL200-20
2 HP - 20 gallon tank
includes items 1-30



Model O1EC75-7.5
3/4 HP - 7.5 gallon tank
includes items 1-28

Model O2EC100-7.5
1 HP - 7.5 gallon tank
includes items 1-28

Model O3EC150-10
1 1/2 HP - 10 gallon tank
includes items 1-28

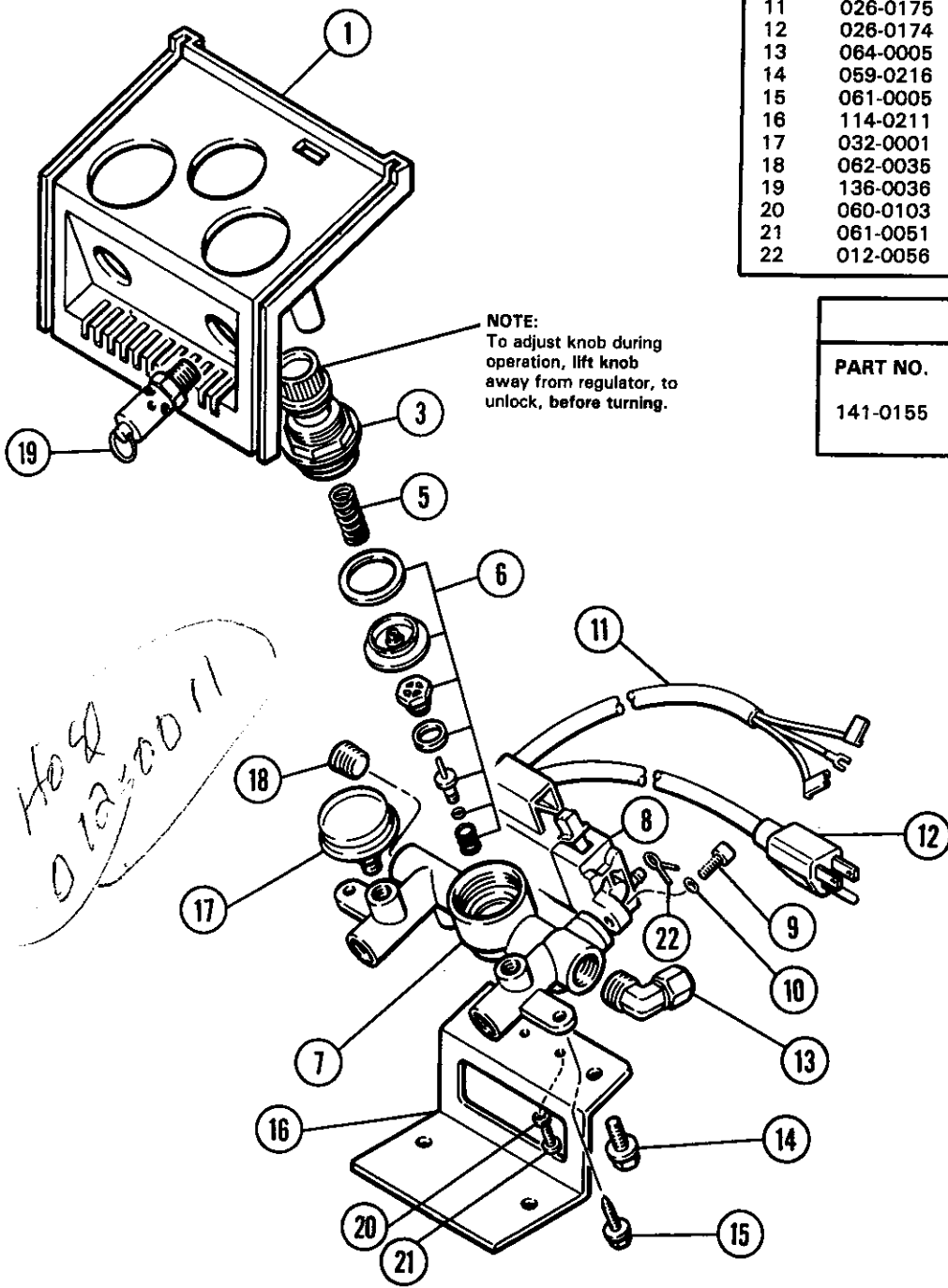
Model O4EC200-20A
2 HP - 20 gallon ASME tank
includes items 1-30

PARTS DRAWING and LIST

Manifold/Switch Assembly for "EL" Series



ITEM	PART NO.	DESCRIPTION	QTY.
1	077-0123	COVER, manifold	1
2	n/a	REGULATOR/MANIFOLD ASSY. includes items 3 - 7	1
3	092-0009	KNOB ASSEMBLY	1
5	055-0057	SPRING, long	1
6	165-0096	KIT, regulator	1
7	041-0028	MANIFOLD, machined	1
8	034-0090	SWITCH, pressure	1
9	061-0068	SCREW, #8 - 32 x 1/2"	1
10	054-0177	O-RING	1
11	026-0175	CORD, interconnect assembly	1
12	026-0174	CORD, power	1
13	064-0005	ELBOW, 90°, 3/8" NPTF	1
14	059-0216	SCREW, 1/4" - 20 x 1/2"	2
15	061-0005	SCREW, #10 - 16 x 3/4"	2
16	114-0211	BRACKET, manifold	1
17	032-0001	GAUGE, 170 lb.	2
18	062-0036	PLUG, pipe 1/4" NPTF	1
19	136-0036	VALVE, pressure relief - 135	1
20	060-0103	WASHER, int-tooth	2
21	061-0051	SCREW, #8 - 32 x 1/2"	2
22	012-0056	CLAMP, bleeder tube	1



NOTE:
To adjust knob during
operation, lift knob
away from regulator, to
unlock, before turning.

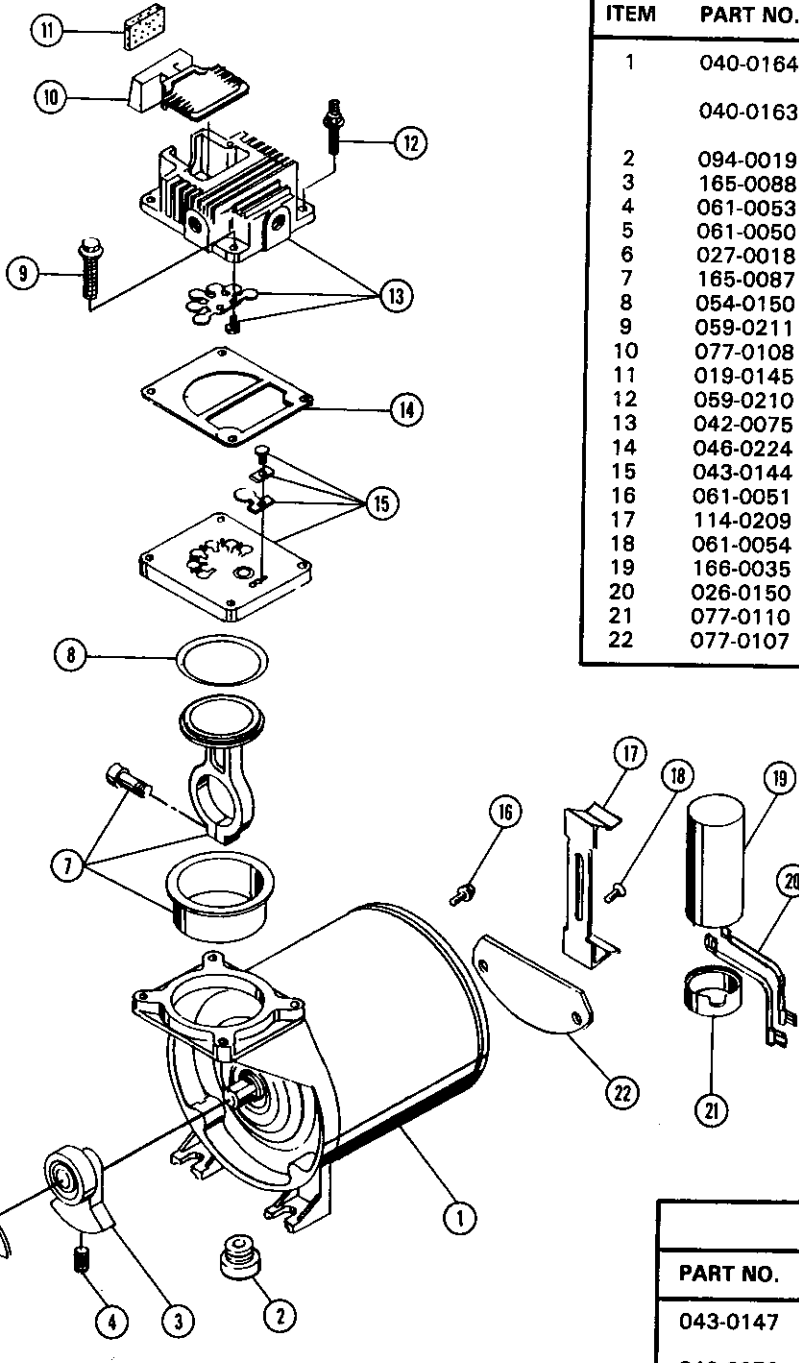
SERVICE KITS	
PART NO.	DESCRIPTION
141-0155	REPAIR KIT, includes items 2, 8, 10, 15, 17, 19

PARTS DRAWING and LIST

Oilless Pump/Motor Assembly

3/4 HP Pump/Motor Assembly - 040-0164

1.5 HP Pump/Motor Assembly - 040-0163



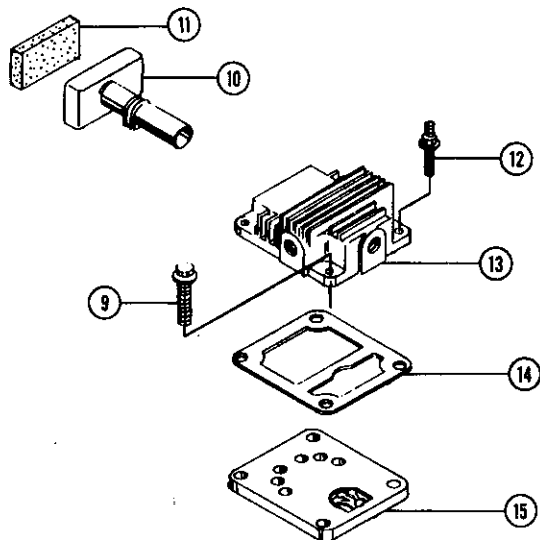
ITEM	PART NO.	DESCRIPTION	QTY.
1	040-0164	MOTOR ASSEMBLY, 3/4 HP includes items 1 - 16	
	040-0163	MOTOR ASSEMBLY, 1 1/2 HP includes items 1 - 21	1
2	094-0019	GROMMET, isolator	2
3	165-0088	ECCENTRIC ASSEMBLY	1
4	061-0053	SCREW, set	1
5	061-0050	SCREW, #10 - 24 x 1/2"	1
6	027-0018	FAN, 5 blade	1
7	165-0087	PISTON-SLEEVE ASSEMBLY	1
8	054-0150	O-RING	1
9	059-0211	SCREW, 1/4" - 20 x 1 1/8"	2
10	077-0108	INTAKE, muffler	1
11	019-0145	ELEMENT, filter	1
12	059-0210	STUD, shoulder, 1/4" - 20 x 1 1/8"	2
13	042-0075	HEAD ASSEMBLY	1
14	046-0224	GASKET, head	1
15	043-0144	VALVE PLATE ASSEMBLY	1
16	061-0051	SCREW, ground	1
17	114-0209	BRACKET	1
18	061-0054	SCREW, #8 - 32 x 1/2"	1
19	166-0035	CAPACITOR	1
20	026-0150	WIRE ASSEMBLY	1
21	077-0110	CAP, end, capacitor	1
22	077-0107	COVER, electric box	1

SERVICE KITS	
PART NO.	DESCRIPTION
043-0147	VALVE PLATE ASSEMBLY includes items 8, 14, 15
042-0076	HEAD ASSEMBLY includes items 13, 14
048-0069	PISTON-SLEEVE ASSY. W/O-RING includes items 7, 8
043-0146	HEAD-VALVE PLATE ASSEMBLY includes items 8, 13, 14, 15

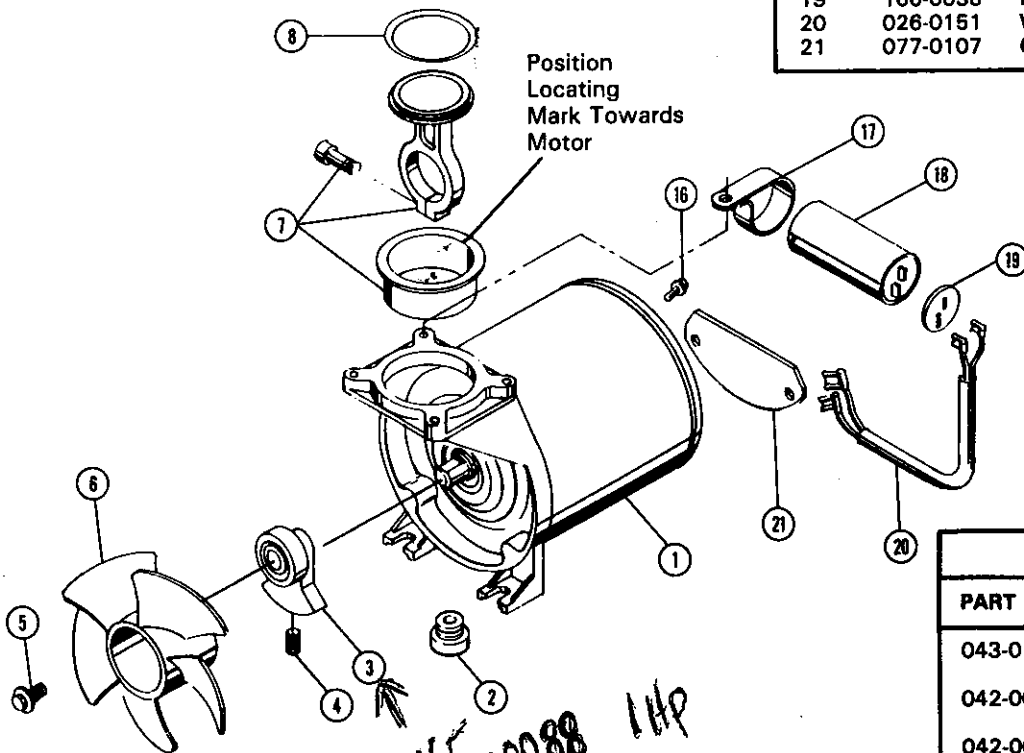
PARTS DRAWING and LIST

Oilless Pump/Motor Assembly

1 HP Pump/Motor Assembly - 040-0161
 2 HP Pump/Motor Assembly - 040-0162



ITEM	PART NO.	DESCRIPTION	QTY.
1	040-0161	MOTOR ASSEMBLY, 1 HP includes items 1 - 16	
	040-0162	MOTOR ASSEMBLY, 2 HP includes items 1 - 20	1
2	094-0019	GROMMET, isolator	2
3	096-0011	ECCENTRIC ASSEMBLY, 1 HP	
	096-0012	ECCENTRIC ASSEMBLY, 2 HP	1
4	061-0053	SCREW, set	1
5	061-0050	SCREW, #10 - 24 x 1/2"	1
6	027-0018	FAN, 5 blade	1
7	165-0090	PISTON-SLEEVE ASSEMBLY	1
8	054-0151	O-RING	1
9	069-0213	SCREW, 1/4" - 20 x 1 1/4"	2
10	019-0146	INTAKE, muffler	1
11	019-0145	ELEMENT, filter	1
12	059-0212	STUD, shoulder, 1/2" - 20 x 1 1/4"	2
13	042-0080	HEAD ASSEMBLY, 1 HP	
	042-0077	HEAD ASSEMBLY, 2 HP	1
14	046-0225	GASKET, head	1
15	043-0145	VALVE PLATE ASSEMBLY	1
16	061-0051	SCREW, ground	1
17	114-0210	BRACKET	1
18	166-0035	CAPACITOR	1
19	166-0036	INSULATOR, capacitor	1
20	026-0151	WIRE ASSEMBLY	1
21	077-0107	COVER, electric box	1



165-0088 1HP
 165-0089

SERVICE KITS	
PART NO.	DESCRIPTION
043-0148	VALVE PLATE ASSEMBLY includes items 8, 14, 15
042-0081	HEAD ASSEMBLY, 1 HP includes items 13, 14
042-0078	HEAD ASSEMBLY, 2 HP includes items 13, 14
048-0068	PISTON-SLEEVE ASSY. W/O-RING includes items 7, 8
042-0082	HEAD-VALVE PLATE ASSY., 1 HP includes items 8, 13, 14, 15
042-0079	HEAD-VALVE PLATE ASSY., 2 HP includes items 8, 13, 14, 15