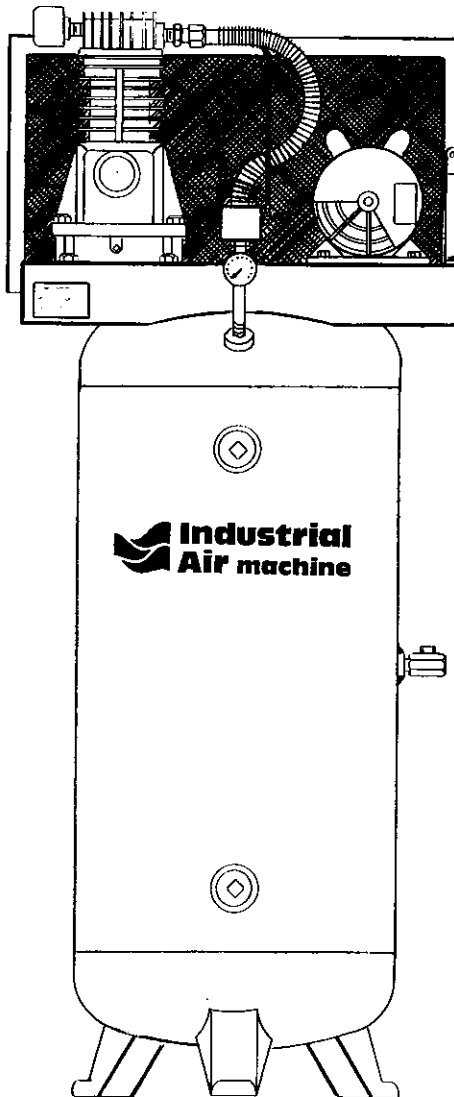


165 Pump

50E60VC



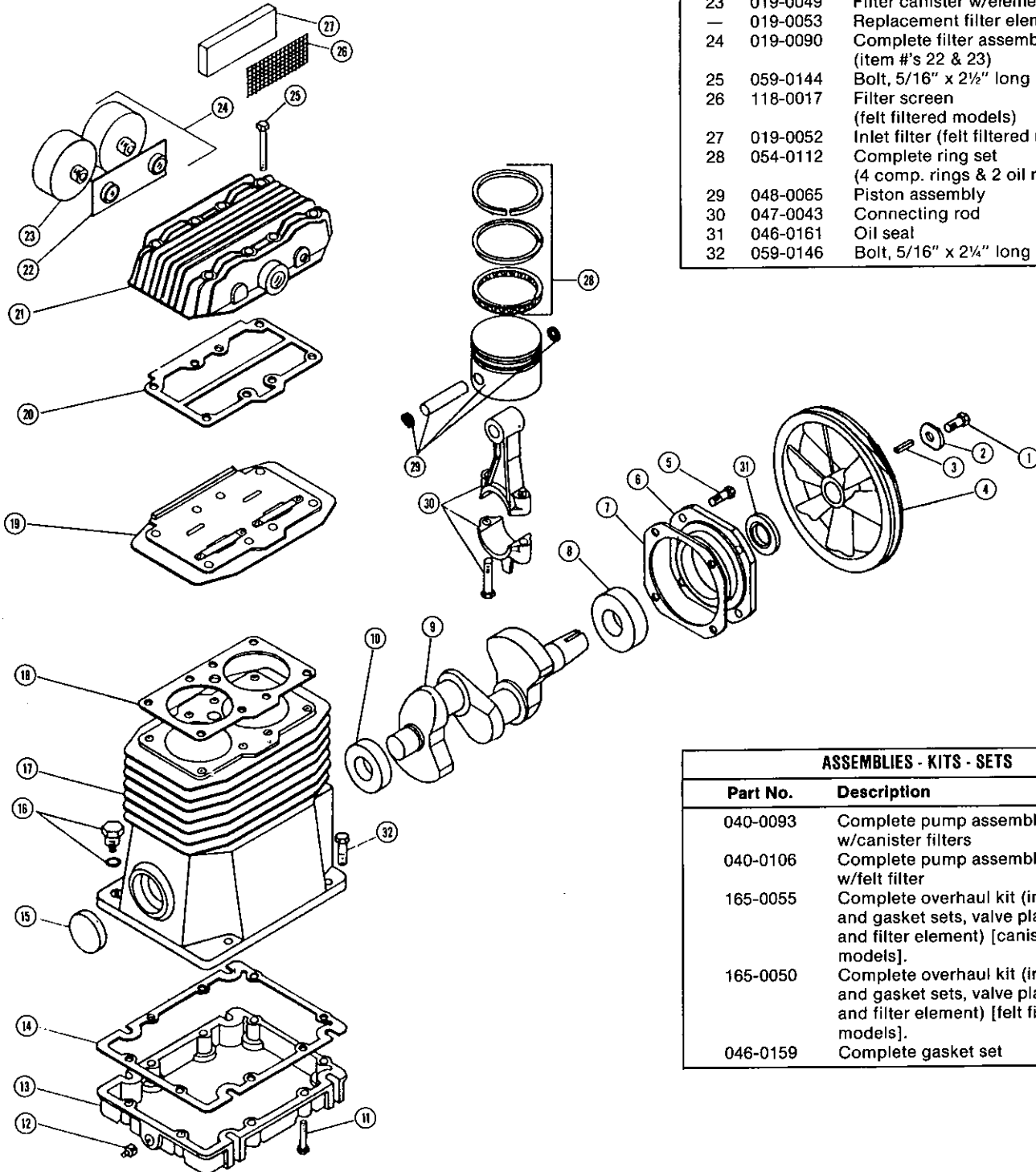
CAUTION:

Read the operator's manual carefully before attempting to operate or service this unit! FAILURE TO COMPLY WITH INSTRUCTIONS COULD RESULT IN: VOIDING OF YOUR WARRANTY, PERSONAL INJURY, AND/OR PROPERTY DAMAGE! Industrial Air air compressors are precision built from the finest materials and with proper care and maintenance will perform efficiently.

Compressor Pump Replacement Parts

COMPRESSOR PUMP REPLACEMENT PARTS			
Item	Part No.	Description	Qty.
1	059-0002	Bolt, 5/16" x 1" long	1
2	060-0053	Flywheel washer	1
3	146-0016	Key, 3/16" x 1" long	1
4	044-0040	Flywheel, 12" O.D. B-width	1
5	059-0143	Bolt, 5/16" x 7/8" long	4
6	045-0037	Bearing carrier	1
7	046-0149	Bearing carrier gasket	1
8	051-0043	Open Bearing	1
9	053-0043	Crankshaft	1
10	051-0013	Open bearing	1

COMPRESSOR PUMP REPLACEMENT PARTS			
Item	Part No.	Description	Qty.
11	059-0145	Bolt, 1/4" x 1 1/4" long	8
12	062-0002	Pipe plug, 1/2" NPT	1
13	077-0065	Crankcase base	1
14	046-0150	Crankcase base gasket	1
15	062-0043	Expansion plug, 1 1/4" diameter	1
16	056-0019	Dipstick w/o-ring	1
17	049-0031	Crankcase	1
18	046-0152	Cylinder gasket	1
19	043-0136	Valve plate assembly	1
20	046-0151	Head gasket	1
21	042-0068	Head	1
22	019-0096	Filter Plate	1
23	019-0049	Filter canister w/element	2
—	019-0053	Replacement filter element	2
24	019-0090	Complete filter assembly (item #'s 22 & 23)	1
25	059-0144	Bolt, 5/16" x 2 1/2" long	8
26	118-0017	Filter screen (felt filtered models)	1
27	019-0052	Inlet filter (felt filtered models)	1
28	054-0112	Complete ring set (4 comp. rings & 2 oil rings)	1
29	048-0065	Piston assembly	2
30	047-0043	Connecting rod	2
31	046-0161	Oil seal	1
32	059-0146	Bolt, 5/16" x 2 1/4" long	4



ASSEMBLIES - KITS - SETS	
Part No.	Description
040-0093	Complete pump assembly model 165 w/canister filters
040-0106	Complete pump assembly model 165 w/felt filter
165-0055	Complete overhaul kit (includes ring and gasket sets, valve plate assembly and filter element) [canister filtered models].
165-0050	Complete overhaul kit (includes ring and gasket sets, valve plate assembly and filter element) [felt filtered models].
046-0159	Complete gasket set

Tank Assembly

Item	Part No.	Description	Qty.
1	021-0050	60 Gallon vertical 140 PSI	1
2	065-0032	Close nipple 3/8"	1
3	073-0007	Quarter turn valve 3/8" NPT	1
4	072-0001	Petcock 1/4" DC604-4	1
5	160-0121	Motor 5hp	1
6	146-0016	Key 3/16"	1
7	006-0085	Sheave	1
8	008-0036	V-belt 5L-540 B-W	1
9	059-0012	5/16" 18 x 1/2 wiz lock screw	9
10	114-0006	Belt guard bracket	1
11	142-0033	Belt guard 4 & 5 hp	1
12	061-0005	#10 Sheetmetal screw x 3/4 ZP	1
13	114-0123	Belt guard bracket	1
14	061-0006	Set Screw	1
15	031-0028	Check valve	1
16	058-0016	Complete nut & sleeve 1/2	2

Item	Part No.	Description	Qty.
17	145-0075	Finned Transfer Tube	1
18	136-0037	135# ASME pressure relief valve	1
19	065-0031	1/4 Closed pipe nipple	1
20	093-0001	Whole rubber grommet	2
21	034-0032	Switch	1
22	145-0084	Bleeder tube 1/4" x 17 1/2"	1
23	058-0017	1/4" Compression nut	1
24	026-0007	Power Cord 14/3 230V 15A X5	1
25	028-0004	Brass cross	1
26	032-0024	Gage 300# 1/4" back connector	1
27	032-0036	Crank Assembly	1
28	513-0001	O-ring 2"	2
29	512-0004	2" pipe plug	2

