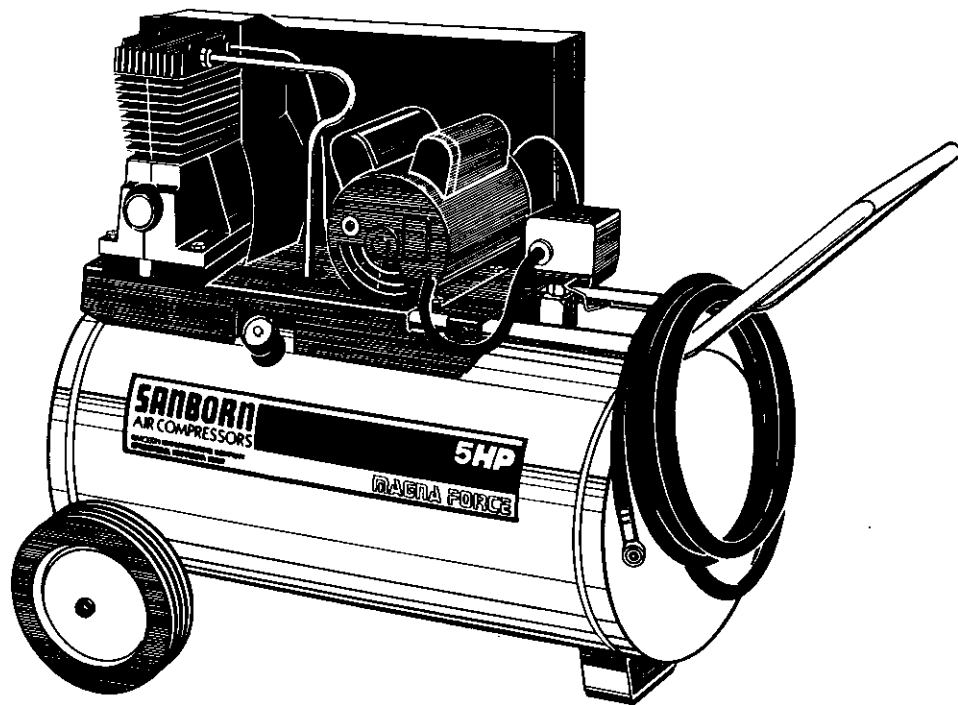

AIR COMPRESSOR PARTS MANUAL

PORTABLE

TWIN CYLINDER ELECTRIC
165 PUMP 4 & 5 HORSEPOWER

165B400 SERIES
165B500 SERIES

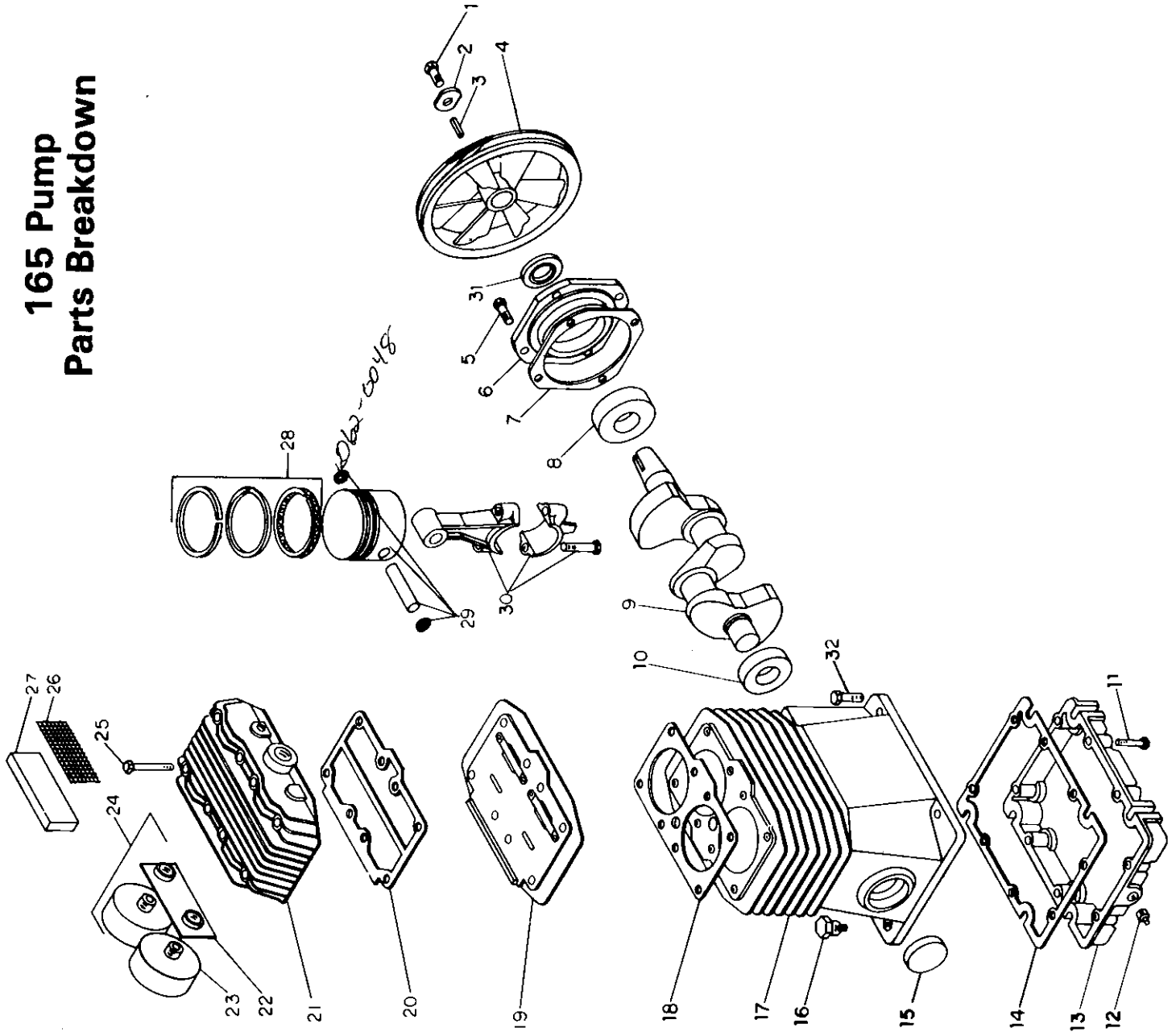


019-0114

CAUTION:

Read the operator's manual carefully before attempting to operate or service this unit! FAILURE TO COMPLY WITH INSTRUCTIONS COULD RESULT IN: VOIDING OF YOUR WARRANTY, PERSONAL INJURY AND/OR PROPERTY DAMAGE! These Air Compressors are precision built from the finest materials and with proper care and maintenance will perform efficiently.

165 Pump Parts Breakdown

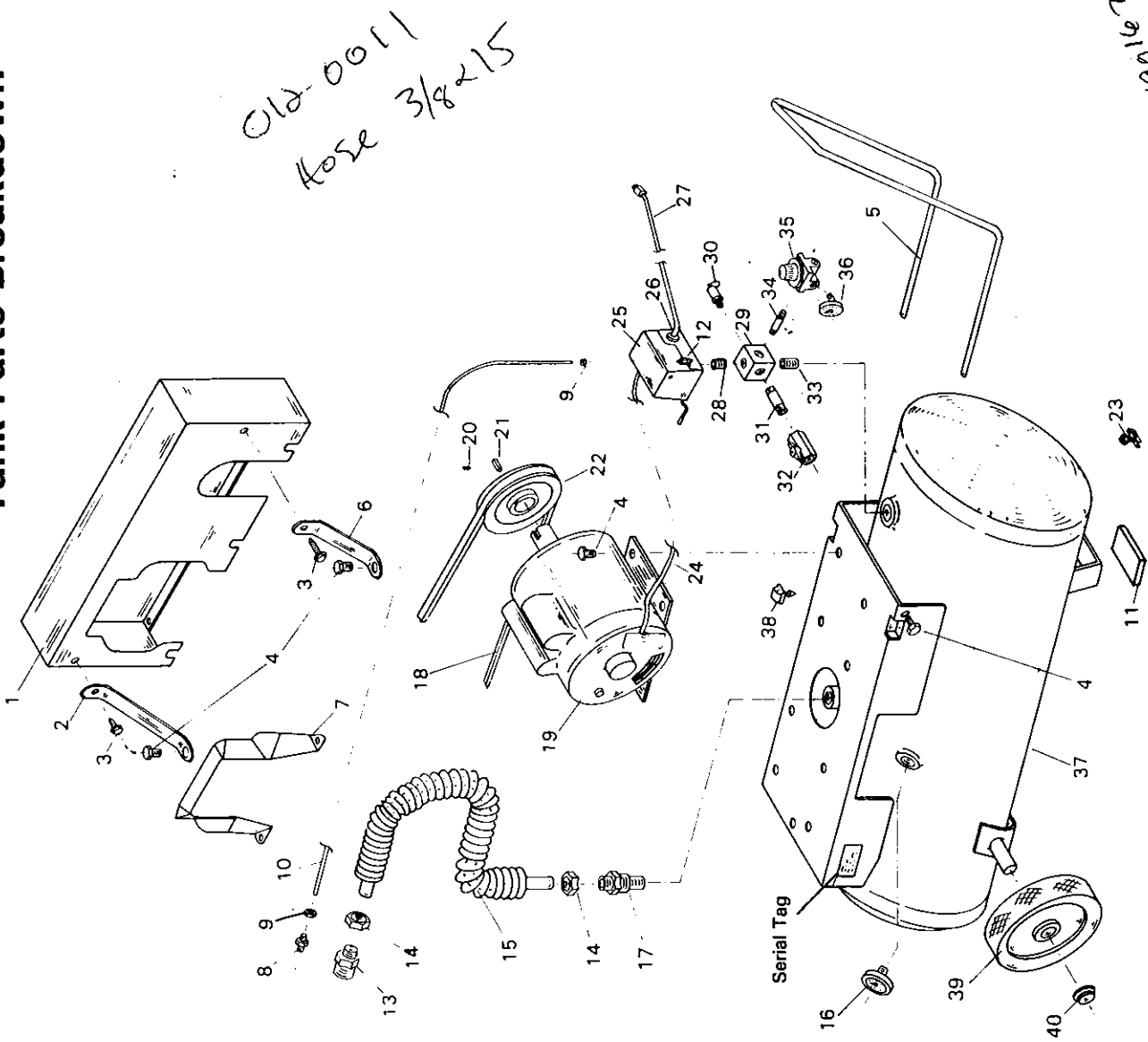


COMPRESSOR PUMP REPLACEMENT PARTS

ITEM	PART NO.	DESCRIPTION	QTY.
1	059-0002	Bolt, 1/16" x 1" long	1
2	060-0053	Flywheel washer	1
3	146-0016	Key, 3/16" x 1" long	1
4	044-0040	Flywheel, 12" O.D. B-width	1
5	059-0143	Bolt, 3/16" x 1/8" long	4
6	045-0037	Bearing carrier	1
7	046-0149	Bearing carrier gasket	1
8	051-0043	Open Bearing	1
9	053-0043	Crankshaft	1
10	051-0013	Open bearing	1
11	059-0145	Bolt, 1/4" x 1 1/4" long	1
12	062-0002	Pipe plug, 1/8" NPT	8
13	077-0065	Crankcase base	1
14	046-0150	Crankcase base gasket	1
15	062-0043	Expansion plug, 1 1/4" diameter	1
16	056-0019	Dipstick w/o-ring	1
17	049-0031	Crankcase	1
18	046-0152	Cylinder gasket	1
19	043-0142	Valve plate assembly (includes item #'s 18 & 20)	1
20	046-0151	Head gasket	1
21	042-0068	Head	1
22	019-0096	Filter Plate	1
23	019-0049	Filter canister w/element	1
--	019-0053	Replacement filter element (use inside P/N 019-0049)	2
24	019-0090	Complete filter assembly (item #'s 22 & 23)	2
25	059-0144	Bolt, 3/16" x 2 1/2" long	1
26	118-0017	Filter screen (felt filtered models)	8
27	019-0052	Inlet filter (felt filtered models)	1
28	054-0112	Complete ring set (4 comp. rings & 2 oil rings)	1
29	048-0065	Piston assembly	2
30	047-0046	Connecting rod	2
31	046-0161	Oil seal	1
32	059-0146	Bolt, 3/16" x 2 1/4" long	4

ASSEMBLIES - KITS - SETS	
PART NO.	DESCRIPTION
040-0093	Complete pump assembly model 165 w/canister filters
040-0106	Complete pump assembly model 165 w/felt filter
165-0055	Complete overhaul kit (includes ring and gasket sets, valve plate assembly and filter element) [canister filtered models].
165-0050	Complete overhaul kit (includes ring and gasket sets, valve plate assembly and filter element) [felt filtered models].
046-0159	Complete gasket set

165B400, 165B500 Series Tank Parts Breakdown



TANK ASSEMBLY REPLACEMENT PARTS

ITEM	PART NO.	DESCRIPTION	QTY.
1	142-0049	Belt guard	1
2	114-0129	Belt guard brace	1
3	061-0042	Sheet metal screw #10 x 3/4" long	4
4	059-0012	Lock bolt 5/16" x 1/2" long	12
5	112-0031	Handle	1
6	114-0006	Belt guard bracket	1
7	142-0039	Shroud	1
8	068-0002	Male connector	1
9	058-0017	1/8" NPT x 1/4" O.D. tube	2
10	145-0096	1/2" compression nut & sleeve	1
11	094-0012	Bleeder tube 1/4"	1
12	136-0013	Vibration isolator	1
13	068-0009	Bleeder valve	1
14	058-0016	1/2" NPT x 1/2" O.D. tube	1
15	145-0075	1/2" compression nut & sleeve	2
16	032-0024	Transfer tube, finned	1
17	031-0028	Gauge, 300 PSI	1
18	008-0036	Check valve, non-code	1
19	160-0018	V-Belt 5L-540 B-W	1
20	160-0015	Motor, 5 HP (165B500 models)	1
21	061-0006	Motor, 4 HP (165B400 models)	1
22	146-0016	Set screw 5/16" x 1" long	1
23	006-0085	Key 3/16" x 1" long	1
24	006-0013	Pulley 3.95 O.D. x 5/16" bore (165B500 models)	1
25	072-0001	Pulley 3.05 O.D. x 5/16" bore (165B400 models)	1
26	026-0139	Petcock 1/4" NPT	1
27	034-0026	Interconnect cord 15"	1
28	071-0007	Pressure switch	1
29	026-0130	Strain relief	2
30	065-0031	Power cord	1
31	028-0018	Close nipple 1/4"	1
32	136-0037	Cross block	1
33	136-0036	Pressure relief valve	1
34	065-0032	135 PSI (ASME)	1
35	073-0007	Pressure relief valve	1
36	065-0003	3/8" nipple	1
37	065-0003	1/2" x 2" nipple	1
38	065-0003	1/4" x 1 1/2" nipple	1
39	019-0114	Regulator	1
40	032-0024	Gauge, 170 PSI	1
	153-0021	30 gallon receiver ASME	1
	131-0012	30 gallon receiver Non-Code	1
	130-0020	22 gallon receiver Non-Code	1
	103-0049	Dek-clip 1/4"	1
	095-0014	Wheel, plastic	2
	033-0002	Hub cap	2